



Architektur 53/166

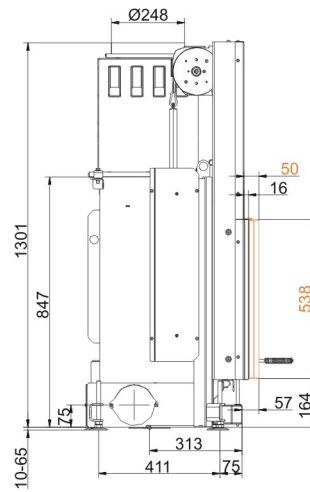
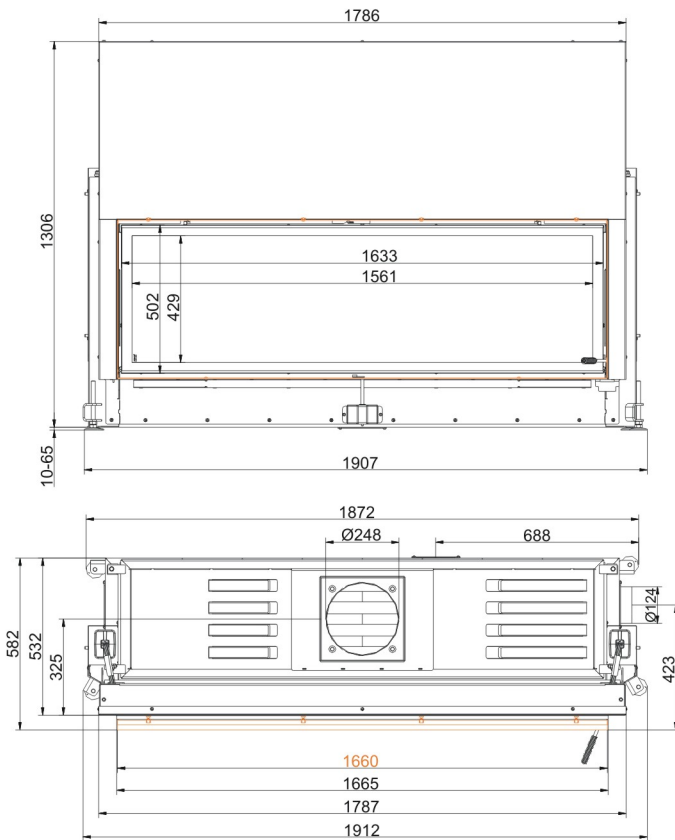
lifting door (easy-lift)

State: 2018-01-23

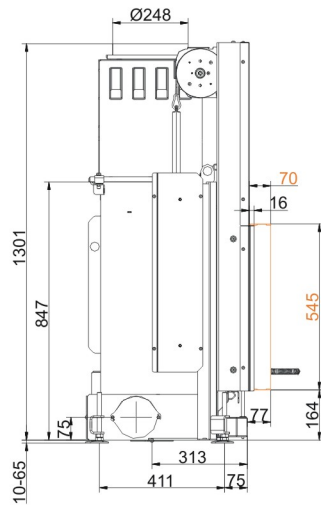
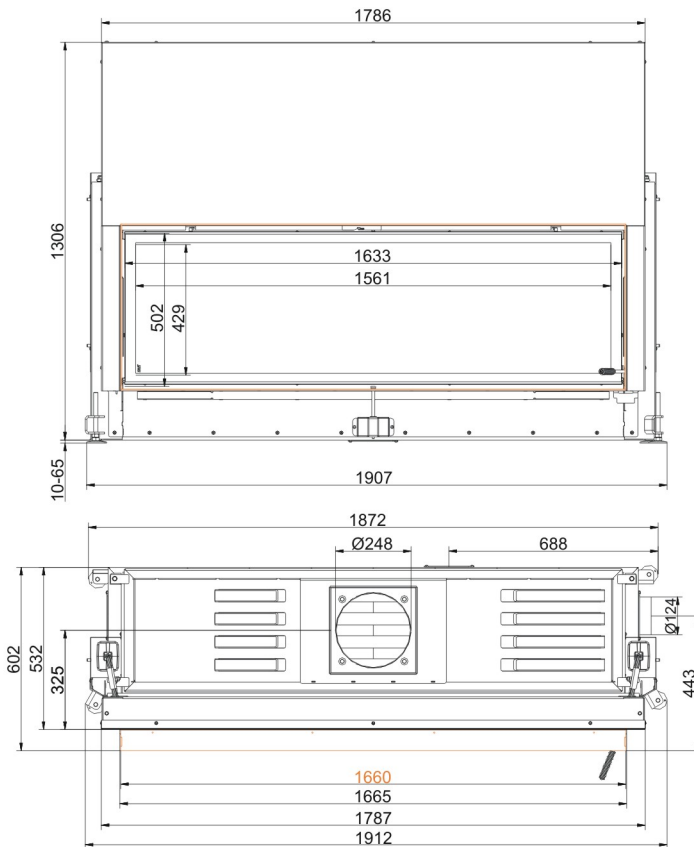


BRUNNER[®]
made in germany.

Dimension sheets - Architektur 53/166 lifting door (easy-lift)

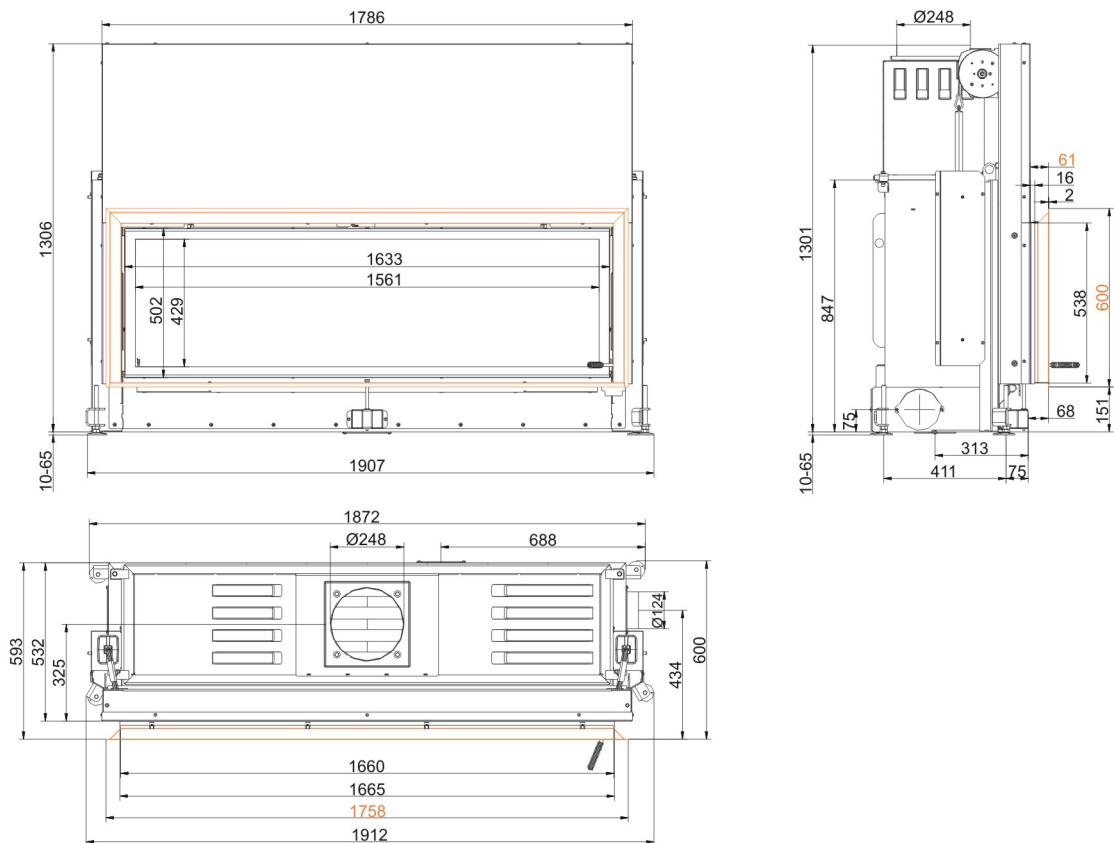


... with mounting frame 50 mm



... with mounting frame 70 mm

Dimension sheets - Architektur 53/166 lifting door (easy-lift)



... with door frame

We suggest for CAD planing Palette CAD. Permanent updated drawings: www.brunner.de
 Frames / front versions are marked colored.

Planning and installation - Architektur 53/166 lifting door (easy-lift)

| | | | |
|---|-------------------|---|------------|
| Tested according to | | EN 13229 W | EN 13229 W |
| Values measured at | | Rated capacity | Open |
| Suitable for all construction types according to rules | | OK | OK |
| EEL | | 102.9 | 102.9 |
| Data for functional demonstration | | | |
| Rated heat power | kW | 17 | - |
| Fire wood volume | kg/h | 4.3 | 4.3 |
| Combustion performance | kW | 21 | 21 |
| Flue gas mass flow | g/s | 14.5 | 100 |
| Flue gas temperature after: | | | |
| attached steel smoke hood | °C | 230 | 100 |
| Necessary supply pressure | Pa | 13 | 6 |
| Combustion air consumption | m ³ /h | 50 | 250 |
| Combustion air connection Ø | mm | 125 | - |
| Heat distribution | | | |
| Insert / heat accumulator | % | 60 / - | - |
| Glass pane (single / double) | % | 40 / - | - |
| Cross-section of gratings ¹⁾ | | | |
| Supply air | cm ² | 900 / 100 / - | - |
| Warm air | cm ² | 900 / 100 / - | - |
| Minimal oven surface for closed construction type | | | |
| Heat dissipating surface | m ² | 7.5 | - |
| Minimal distances of the fireplace | | | |
| to insulation layer | cm | 8 | 8 |
| to mounting floor | cm | 2 | 2 |
| Thermal insulation without / with air gratings ²⁾ | | | |
| Mounting wall | cm | 16 / 12 | 16 / 12 |
| Floor | cm | 4 / 2 | 4 / 2 |
| Ceiling | cm | 25 / 18 | 25 / 18 |
| Brick lining for combustible wall | cm | 10 | 10 |
| Weight | | | |
| Fireplace / combustion room | kg | 382 / 150 | |
| Meets requirement/limit values for: | | | |
| Germany/ Austria / Suisse / Norway | | 1.BImSchV (Stufe 2) / 15a BVG (2015) / LRV / NS 3059 | |

1) for fireplace inserts / flue gas pipe / metallic reheating surface

2) Values determined with upper air sections; stove cladding is heat emitting.