

SMALL STORAGE STOVES FROM BRUNNER



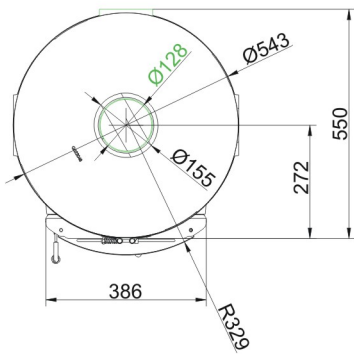
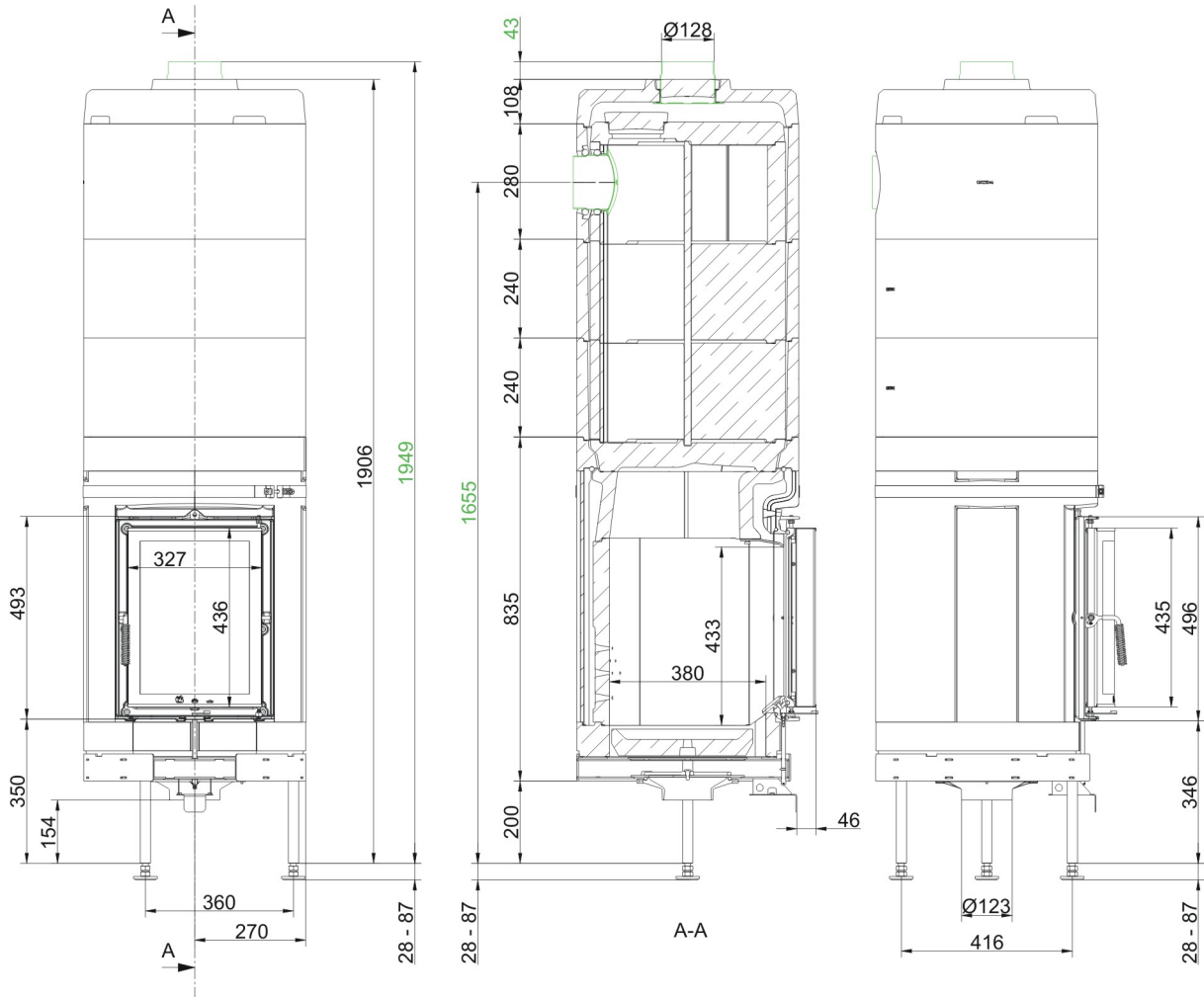
KSO 33 r

State: 2018-05-02



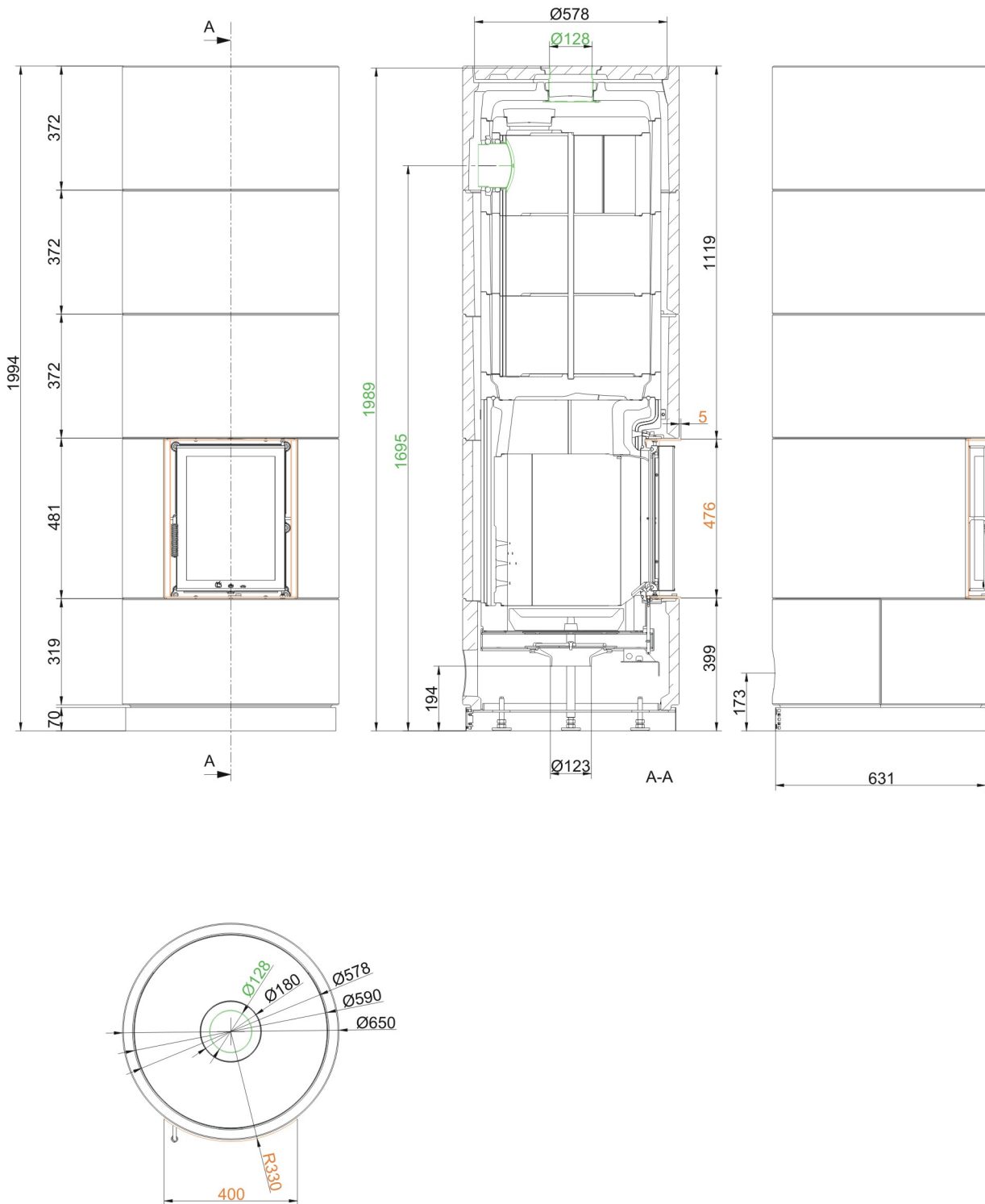
BRUNNER[®]
made in germany.

Dimension sheets - KSO 33 r



....base unit

Dimension sheets - KSO 33 r



... thermal concrete with mounting frame

We suggest for CAD planing Palette CAD. Permanent updated drawings: www.brunner.de
 Frames / front versions are marked colored.

Planning and installation - KSO 33 r

Tested according to		EN 15250
EEI		112
Data for functional demonstration		
Rated heat power	kW	1.7
Fire wood volume	kg/h	3.5
Combustion duration	h	2.2
Time of heat release ¹⁾	h	16.9
Combustion performance	kW	13.9
Flue gas mass flow	g/s	13.5
Flue gas temperature	°C	161
Outlet temperature	°C	215
Max. exhaust gas temperature (NWL/safety test)	°C	210 / 280
Necessary supply pressure ²⁾	Pa	12
Total fuel load	kg	7.5
Load of wood 1st/2nd combustion cycle	kg	4 / 3,5
Combustion air consumption	m ³ /h	38
Combustion air connection Ø	mm	125
Time until reaching max. surface temperature	h	4.6
Time to cool to 50% of max.surface temperature	h	11.4
Cladding components		
Foot print (W x D)	mm	Ø 650
Overall height	mm	1994
Minimal distances ³⁾		
to mounting wall	cm	5
to combustible mounting wall	cm	10
to mounting floor	cm	0
from top of fireplace to the ceiling	cm	40
From top of horizontal connecting piece to the ceiling	cm	20
Heat insulation		
to mounting wall without protection panels	cm	0
to mounting floor	cm	0
Brick lining for combustible wall	cm	10
Weight		
Fireplace / combustion chamber	kg	479
Cladding	kg	203
Meets requirement/limit values for:		
Allows multiple fireplaces on one chimney		nein
Germany/ Austria / Suisse / Norway		1.BImSchV (Stufe 2) / 15a BVG (2015) / - / -

1) Time from firing star to reaching 25% of the maximum surface temperature against the room temperature

2) Damper flap recommended

3) Values determined with thermal concrete cladding