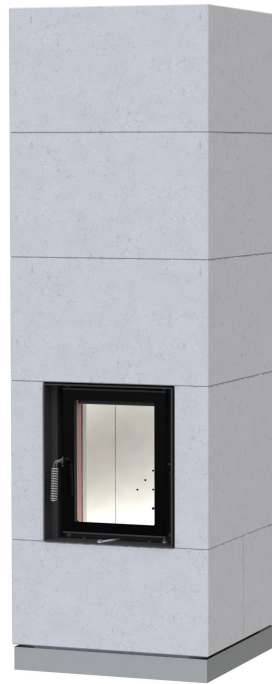


## SMALL STORAGE STOVES FROM BRUNNER



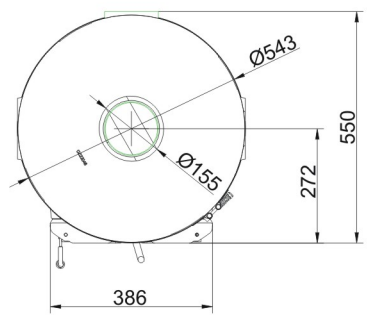
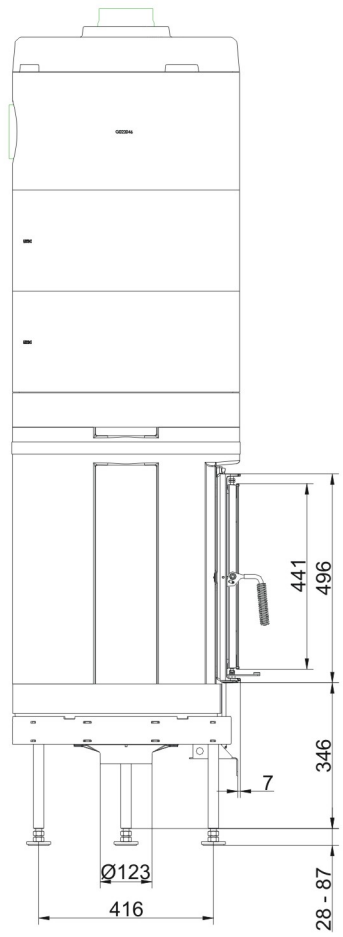
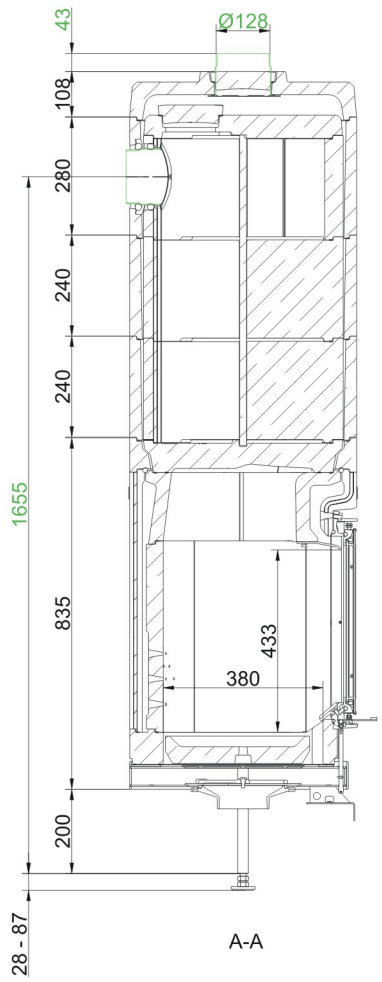
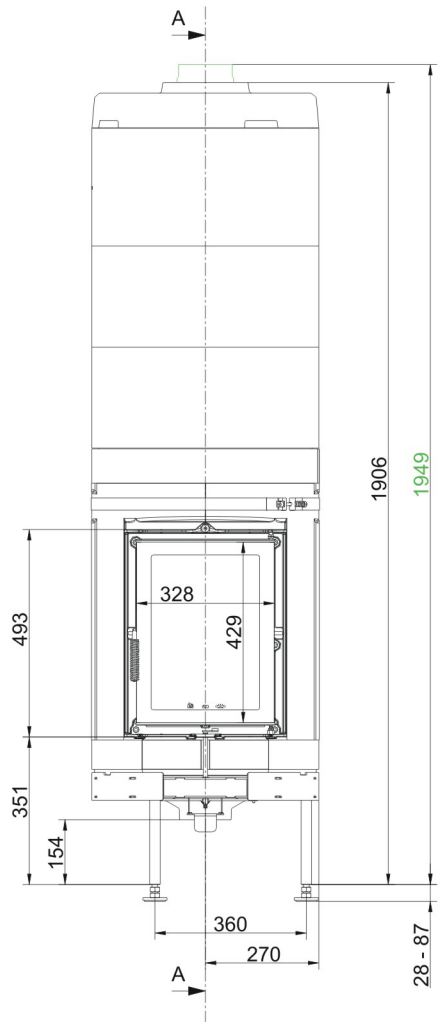
### KSO 33 q

State: 2018-05-02



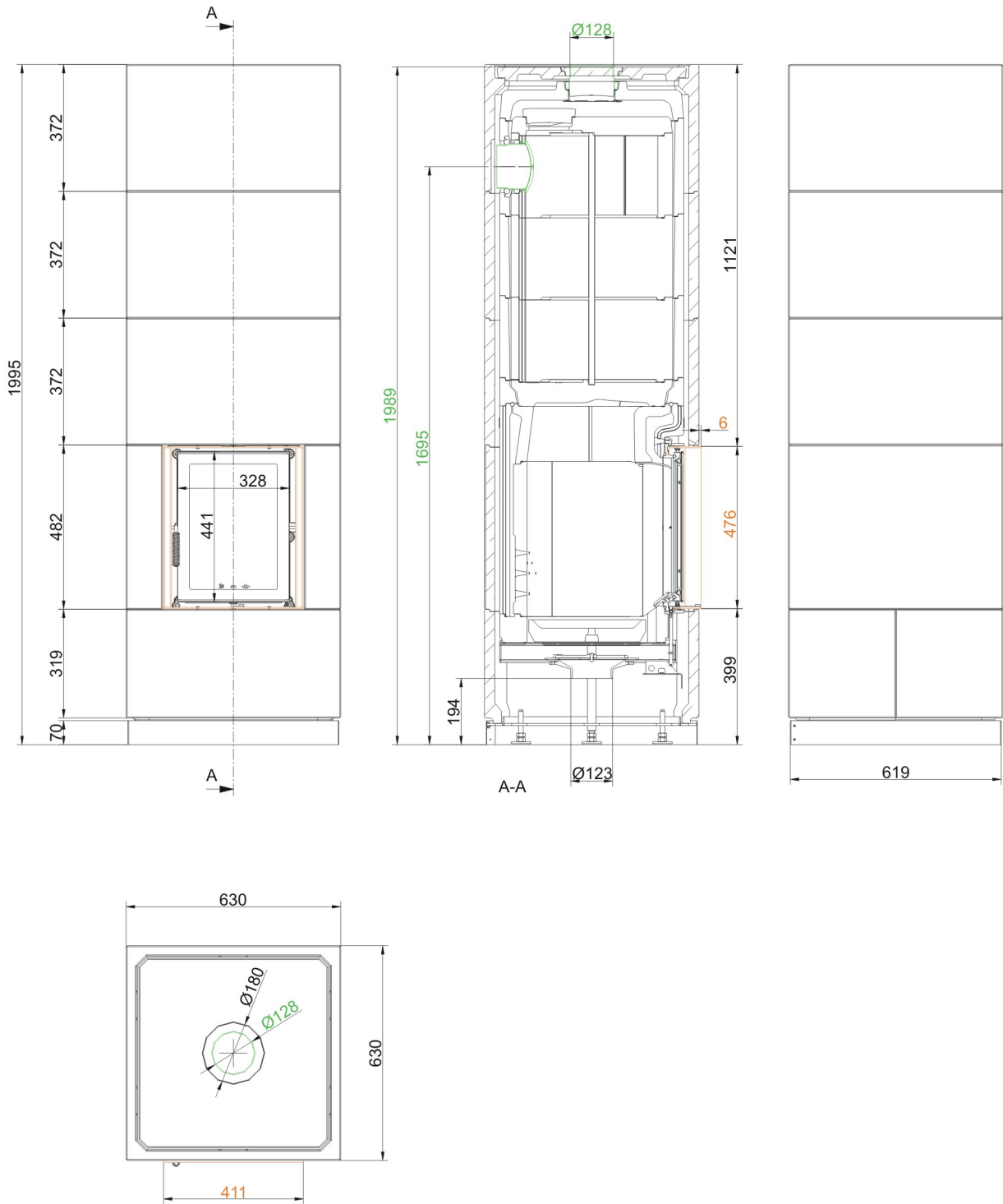
**BRUNNER**<sup>®</sup>  
*made in germany.*

# Dimension sheets - KSO 33 q



....base unit

# Dimension sheets - KSO 33 q



... thermal concrete with mounting frame

We suggest for CAD planing Palette CAD. Permanent updated drawings: [www.brunner.de](http://www.brunner.de)  
 Frames / front versions are marked colored.

## Planning and installation - KSO 33 q

Tested according to		EN 15250
EEI		112
<b>Data for functional demonstration</b>		
Rated heat power	kW	1.7
Fire wood volume	kg/h	3.5
Combustion duration	h	2.2
Time of heat release <sup>1)</sup>	h	16.9
Combustion performance	kW	13.9
Flue gas mass flow	g/s	13.5
Flue gas temperature	°C	161
Outlet temperature	°C	215
Max. exhaust gas temperature (NWL/safety test)	°C	210 / 280
Necessary supply pressure <sup>2)</sup>	Pa	12
Total fuel load	kg	7.5
Load of wood 1st/2nd combustion cycle	kg	4 / 3,5
Combustion air consumption	m <sup>3</sup> /h	38
Rauchgasrohrstutzen Ø	mm	130
Combustion air connection Ø	mm	125
Time until reaching max. surface temperature	h	4.6
Time to cool to 50% of max.surface temperature	h	11.4
<b>Cladding components</b>		
Foot print (W x D)	mm	630 x 630
Overall height	mm	1989
<b>Minimal distances <sup>3)</sup></b>		
to mounting wall	cm	5
to combustible mounting wall	cm	10
to mounting floor	cm	0
from top of fireplace to the ceiling	cm	40
From top of horizontal connecting piece to the ceiling	cm	20
<b>Heat insulation</b>		
to mounting wall without protection panels	cm	0
to mounting floor	cm	0
Brick lining for combustible wall	cm	10
<b>Weight</b>		
Combustion chamber / accumulator	kg	479
Cladding	kg	246
<b>Meets requirement/limit values for:</b>		
Allows multiple fireplaces on one chimney		nein
Germany/ Austria / Suisse / Norway		1.BImSchV (Stufe 2) / 15a BVG (2015) / - / -

1) Time from firing star to reaching 25% of the maximum surface temperature against the room temperature

2) Damper flap recommended

3) Values determined with thermal concrete cladding

Ulrich Brunner GmbH  
 Zellhuber Ring 17 - 18  
 D-84307 Eggenfeldern  
 Telefonat: +49 / (0)87 21 / 7 71-0  
 Telefax: +49 / (0)87 21 / 7 71-100  
 info@brunner.de | www.brunner.de

**BRUNNER**®  
*made in germany.*