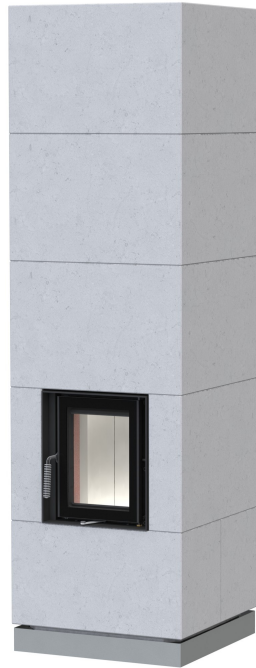


SMALL STORAGE STOVES FROM BRUNNER



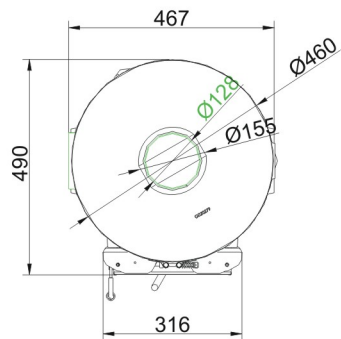
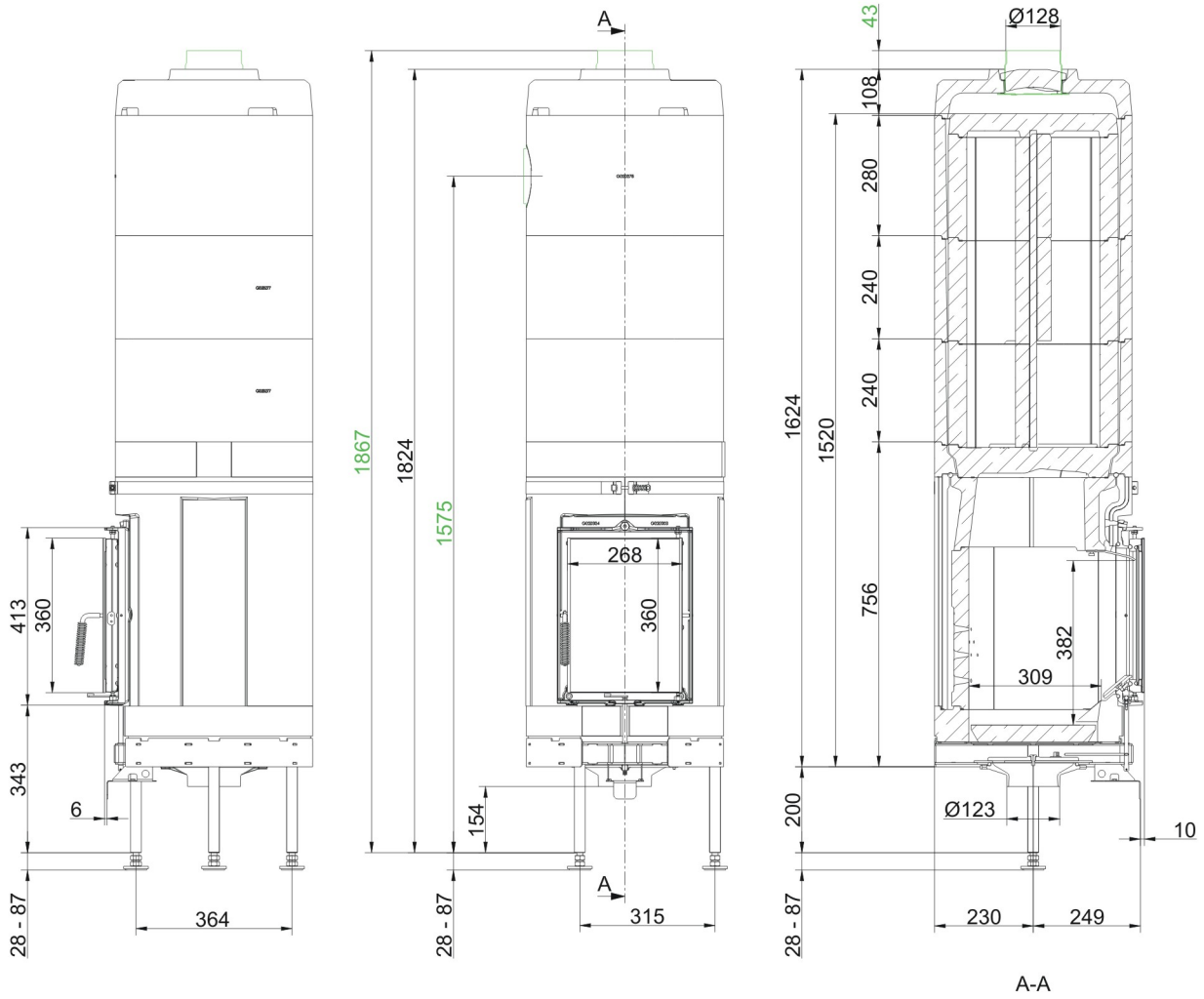
KSO 25 q

State: 2018-05-02



BRUNNER[®]
made in germany.

Dimension sheets - KSO 25 q



....base unit

Planning and installation - KSO 25 q

Tested according to		EN 15250
EEI		113
Data for functional demonstration		
Rated heat power	kW	1.7
Fire wood volume	kg/h	3
Combustion duration	h	2
Time of heat release ¹⁾	h	12.9
Combustion performance	kW	12.6
Flue gas mass flow	g/s	10.4
Flue gas temperature	°C	167
Outlet temperature	°C	217
Max. exhaust gas temperature (NWL/safety test)	°C	220 / 290
Necessary supply pressure ²⁾	Pa	12
Total fuel load	kg	6
Load of wood 1st/2nd combustion cycle	kg	3,5 / 2,5
Combustion air consumption	m ³ /h	30
Combustion air connection Ø	mm	125
Time until reaching max. surface temperature	h	4.1
Time to cool to 50% of max. surface temperature	h	8.7
Cladding components		
Foot print (W x D)	mm	560 x 560 / 660 x 660
Overall height	mm	1917 / 1924
Minimal distances ³⁾		
to mounting wall	cm	5
to combustible mounting wall	cm	10
to mounting floor	cm	0
from top of fireplace to the ceiling	cm	40
From top of horizontal connecting piece to the ceiling	cm	20
Heat insulation		
to mounting wall without protection panels	cm	0
to mounting floor	cm	0
Brick lining for combustible wall	cm	10
Weight		
Combustion chamber / accumulator	kg	380
Cladding	kg	218
Meets requirement/limit values for:		
Allows multiple fireplaces on one chimney		ja
Germany/ Austria / Suisse / Norway		1.BImSchV (Stufe 2) / 15a BVG (2015) / - / -

1) Time from firing star to reaching 25% of the maximum surface temperature against the room temperature

2) Damper flap recommended

3) Values determined with thermal concrete cladding