

FIREPLACE INSERTS FROM BRUNNER



Kompakt-Kamin 57/55 flat

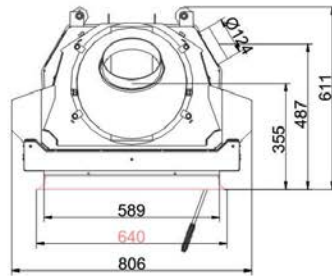
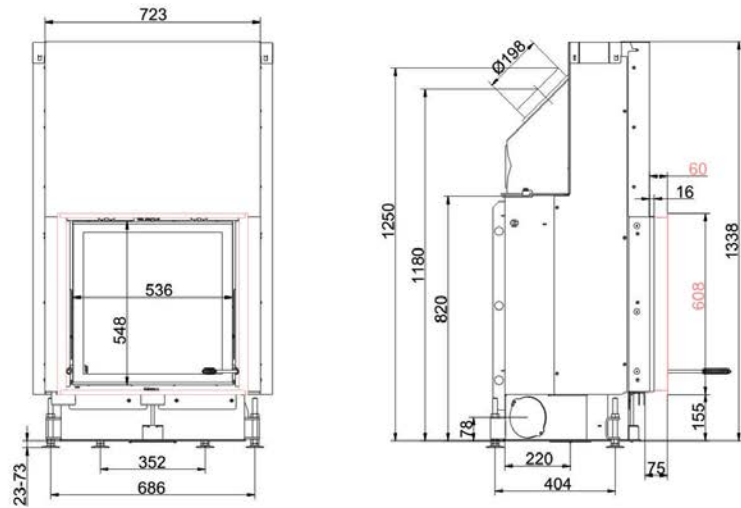
lifting door (easy-lift)

State: 2019-10-28

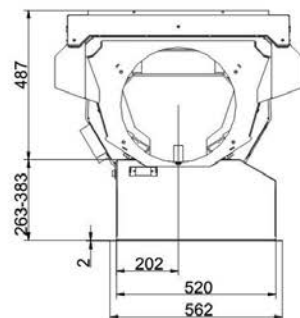
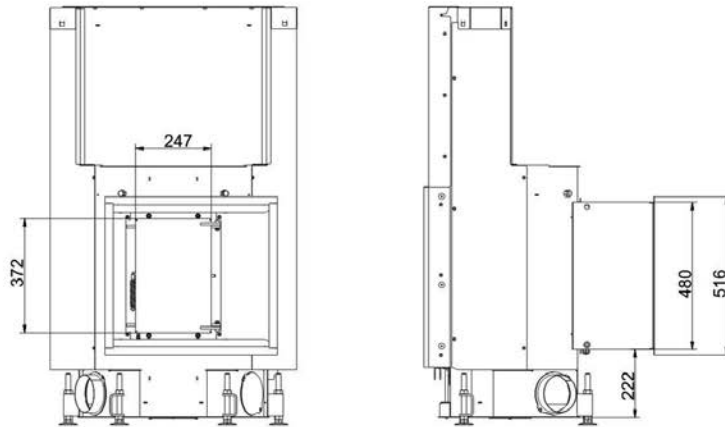


BRUNNER[®]
made in germany.

Dimension sheets - Kompakt-Kamin 57/55 flat lifting door (easy-lift)



... with steel smoke hood



... with additional fire door

We suggest for CAD planning Palette CAD. Permanent updated drawings: www.brunner.de
 Frames /flue gas outlet connection/ combustion air supply connection/ front variants are marked in color.

Planning and installation - Kompakt-Kamin 57/55 flat lifting door (easy-lift)

Tested according to		EN 13229 W	EN 13229 WA
Values measured at		Rated capacity ¹⁾	Storage operation ²⁾
Suitable for all construction types according to rules		OK	OK
EEl		108.5	108.5
Data for functional demonstration			
Rated heat power	kW	8	-
Fire wood volume	kg/h	2.5	4
Combustion performance	kW	10	17
Flue gas mass flow	g/s	8.5	20
Outlet temperature (before reheating surface)	°C	-	340
Flue gas temperature after:			
attached steel smoke hood	°C	225	-
1 x adjoining cast iron radiator (GNF 8/10)	°C	-	160
6 x accumulation rings (MAS) ³⁾	°C	-	205
2 m ceramic accumulator ⁴⁾	°C	-	180
1,4 m accumulation stones (MSS) ⁴⁾	°C	-	180
Necessary supply pressure	Pa	12	13
Combustion air consumption	m ³ /h	35	35
Combustion air connection Ø	mm	125	125
Heat distribution			
Insert / reheating surface	%	30 / 30	30 / 30
Glass pane (single / double)	%	40 / -	40 / -
Boiler	%	-	30
Cross-section of gratings ⁵⁾			
Convection air	cm ²	400 / 100 / -	300 / 100 / 300
Supply air	cm ²	400 / 100 / -	300 / 100 / 300
Minimal oven surface for closed construction type			
Heat dissipating surface	m ²	3.8	3.8
Minimal distances of the fireplace			
to insulation layer	cm	8	8
to mounting floor	cm	2	2
Thermal insulation without / with air gratings ⁶⁾			
Mounting wall	cm	12 / 9	14 / 10
Floor	cm	4 / 2	4 / 2
Ceiling	cm	14 / 10	20 / 14
Isolation around the additional door		6	6
Brick lining for combustible wall	cm	10	10
Weight			
Fireplace / combustion chamber	kg	165 / 69	
Meets requirement/limit values for:			
Germany/ Austria / Switzerland / Norway		1.BImSchV (Stufe 2) / 15a BVG (2015) / LRV / NS 3059	

- 1) Indications to "Rated power" determined with metallic reheating surface
- 2) Indications to "Storage operation" for the manual execution of the reheating surface (reference values for the specialist)
- 3) Damper flap recommended
- 4) Standard value or calculated functional proof required
- 5) for fireplace inserts / flue gas pipe / metallic reheating surface
- 6) Values determined with upper air sections; stove cladding is heat emitting.

Ulrich Brunner GmbH
 Zellhuber Ring 17 - 18
 D-84307 Eggenfelden
 Telefonat: +49 / (0)87 21 / 7 71-0
 Telefax: +49 / (0)87 21 / 7 71-100
 info@brunner.de | www.brunner.de

BRUNNER®
made in germany.