

BRUNNER TILE STOVES



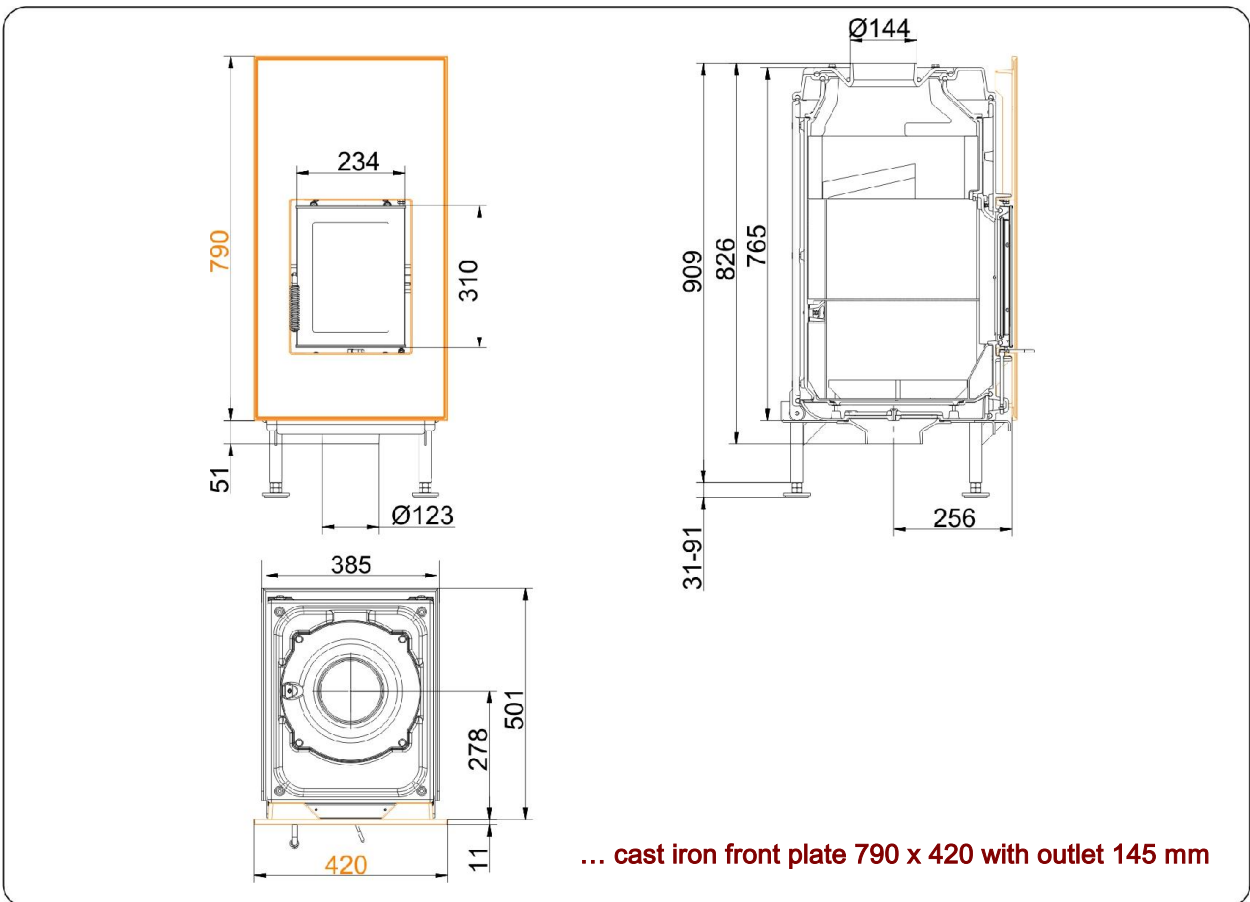
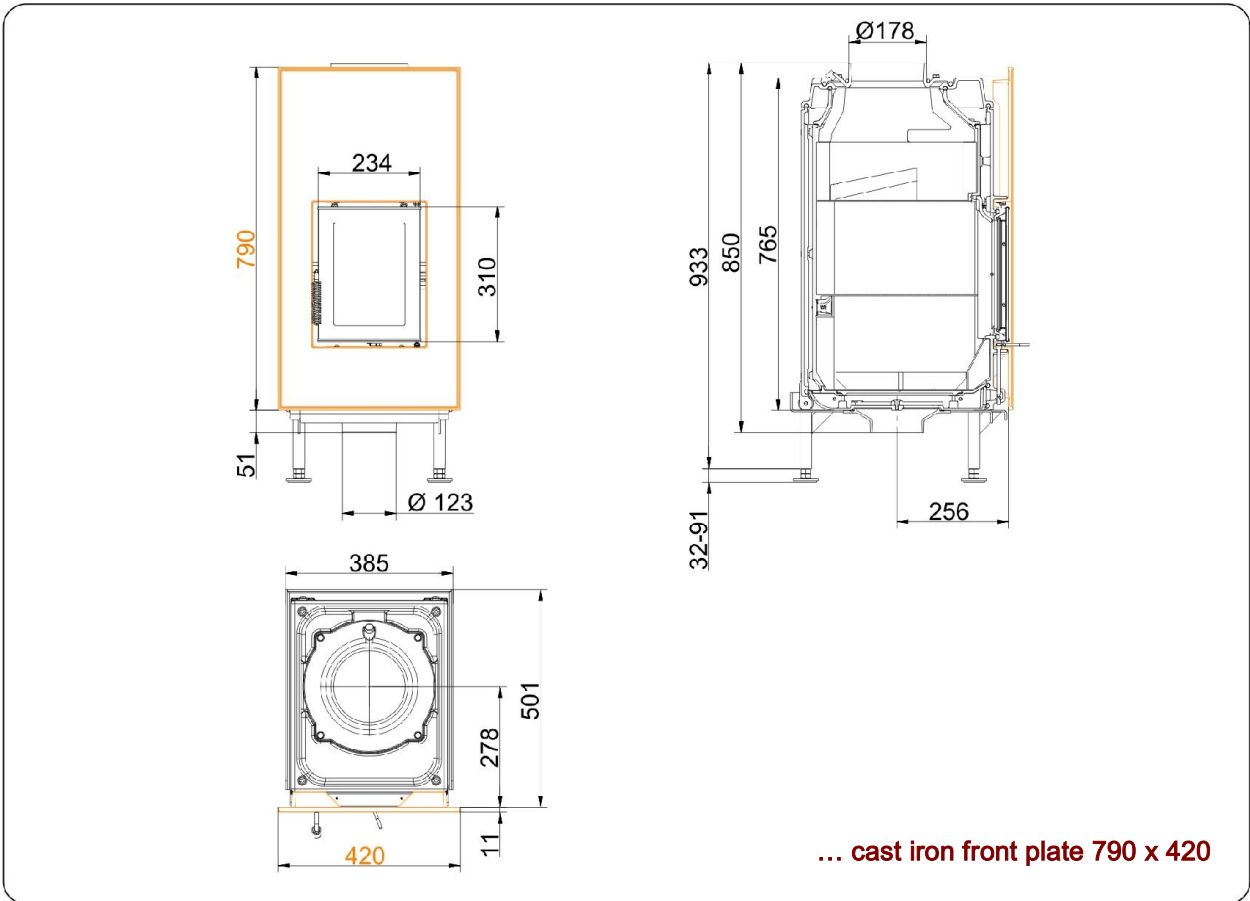
KKE 33

State: 01.04.2015

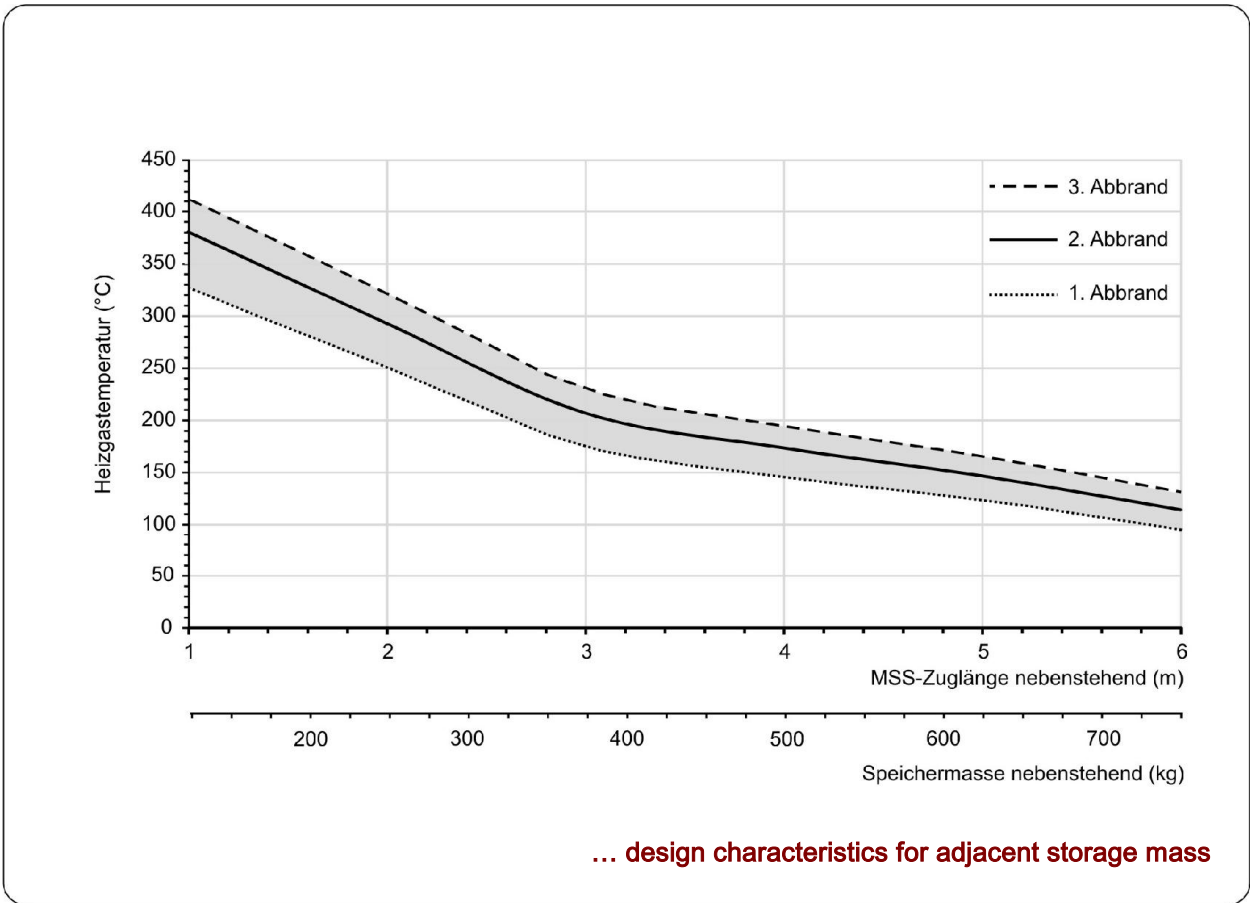
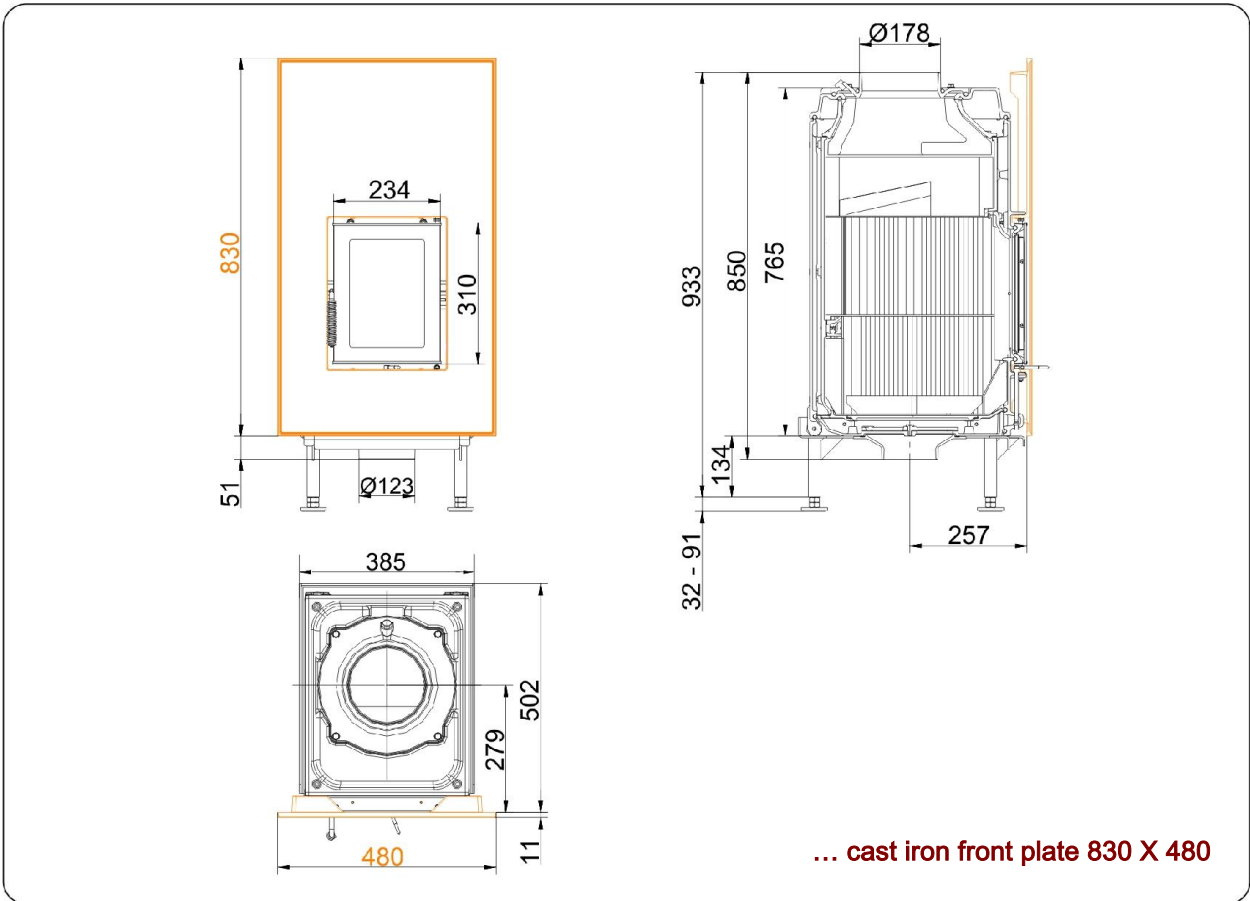


BRUNNER[®]
made in germany

Dimension sheet | **KKE 33**



Dimension sheet | **KKE 33**



Planning and installation

KKE 33

Tested according to		EN 13229 W	EN 13229 WA
Values measured at		nominal load	accumulation
Suitable for all construction types according to rules		OK	OK
Data for functional demonstration			
Rated heat power	kW	7	
Firewood consumption	kg/h	2,0	3,2
Combustion performance	kW	8,0	13
Flue gas mass flow	g/s	8	13
Outlet temperature (before heating surface)	°C	570	620
Flue gas temperature after			
attached steel smoke hood	°C	-	-
1 x adjoining cast iron radiator (GNF10)	°C	110	160
accumulation rings (MAS) 1)	°C	-	-
4,1 m adjoining ceramic accumulator 2)	°C	-	180
2,8 m accumulation stones (MSS) 2)	°C	-	215
water boiler	°C	-	-
Necessary supply pressure	Pa	12	15
Combustion air consumption	m ³ /h	20	35
Combustion air connection Ø	mm	125	125
Heat distribution			
Insert / heating surface	%	40 / 50	40 / 50
Glass (single / double)	%	- / 10	- / 10
Boiler	%	-	-
Vent cross-sections 4)			
Supply air	cm ²	400 / 250 / 550	400 / 250 / 550
Warm air	cm ²	400 / 250 / 550	400 / 250 / 550
Min. distances of fireplace			
To insulation layer	cm	8	8
To the ground	cm	15	15
Heat insulation without / with³⁾ air gratings			
Adjacent wall	cm	10 / 7	10 / 7
Floor	cm	0	0
Ceiling	cm	22 / 16	22 / 16
Insulation of additional fire door DHT	cm	-	-
Brick lining of protected walls	cm	10	10
Weight			
Fireplace + burning chamber	kg	166 + 38	
meets requirement limit values for			
Germany / Austria / Switzerland / Norway		1.BImSchV (Stufe 2) / 15a BVG (2015) / LRV / -	

1) Throttle flap recommended

2) Approximate value. Determination according to design characteristics for adjacent storage mass or proof of function provided by calculation

3) Values with air gratings, stove casing is heat conducting

4) for firebox / flue gas pipe / metallic reheating surface

Ulrich Brunner GmbH
Zellhuber Ring 17 -18
D-84307 Eggenfelden
Telefon: +49 / (0)87 21 / 7 71-0
Telefax: +49 / (0)87 21 / 7 71-100
info@brunner.eu | www.brunner.eu

The logo for Brunner, featuring the word "BRUNNER" in a bold, black, sans-serif font. The letters are filled with a horizontal line pattern, giving it a textured appearance. A registered trademark symbol (®) is located at the top right of the logo.

BRUNNER products are offered and sold only by qualified dealers and service centres.
Subject to technical and assortment changes. Errors excepted. (04/15)