



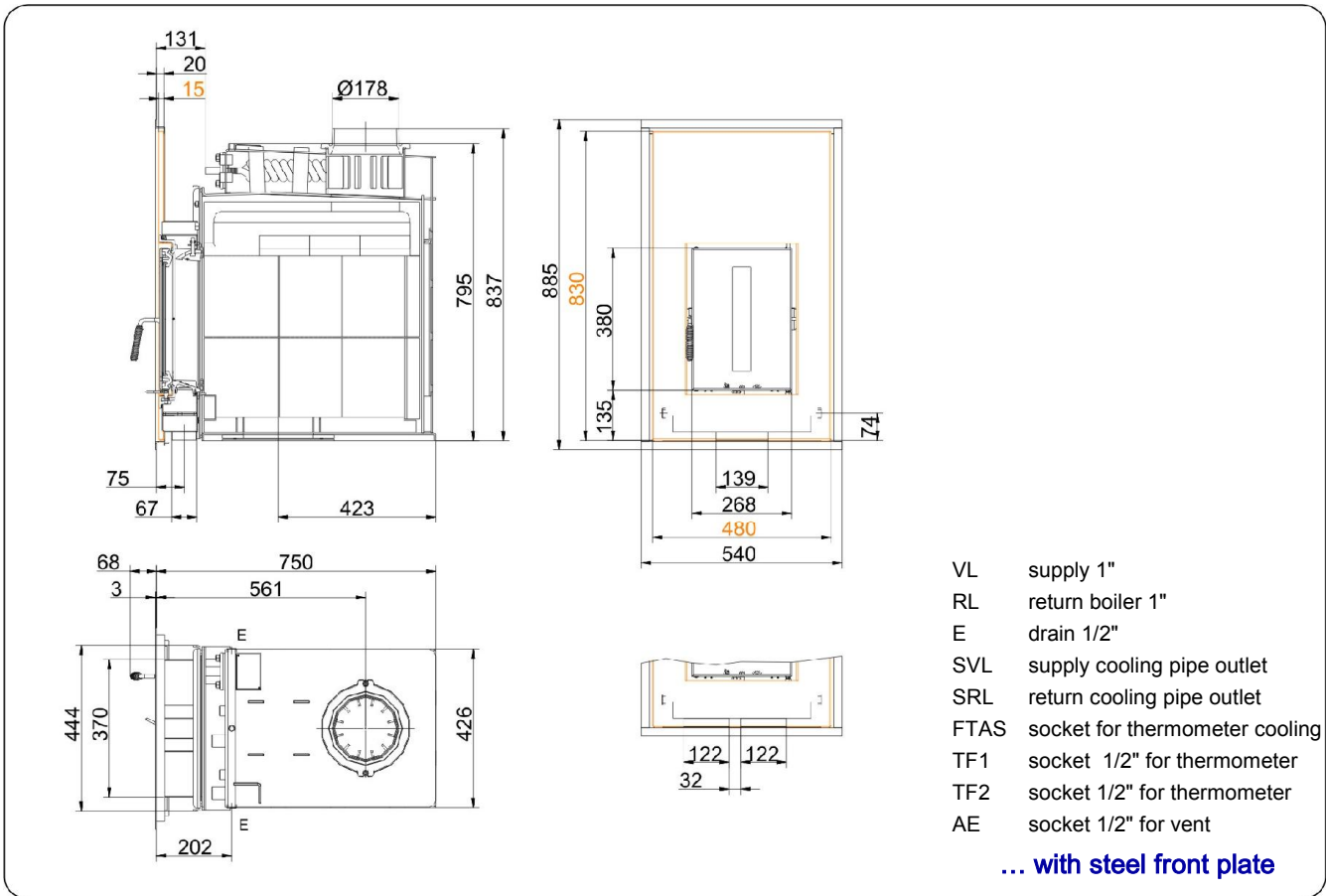
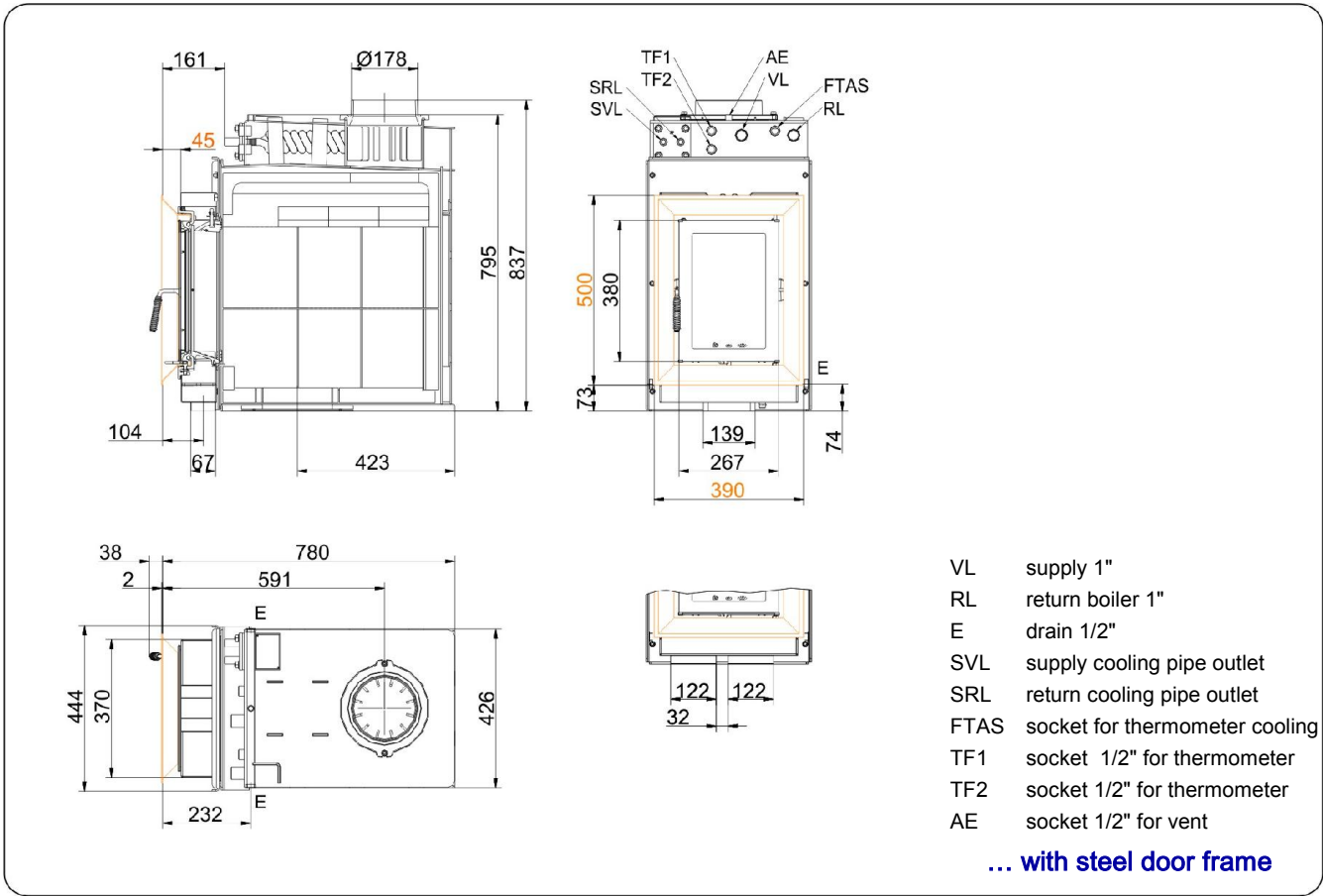
Kompakt-Kessel B8

State: 26.03.2015



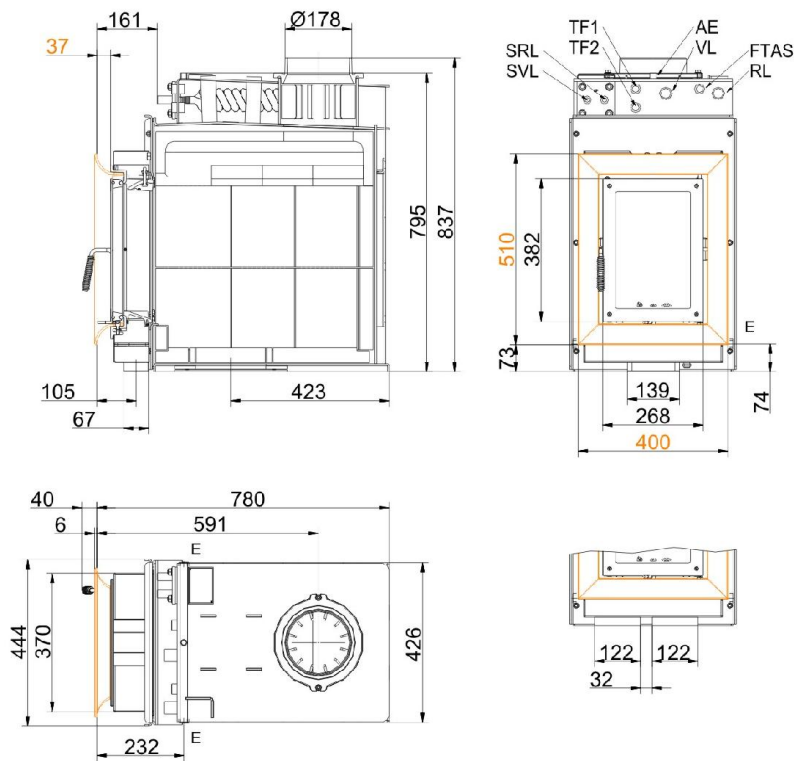
BRUNNER[®]
made in germany

Dimension sheet | **Kompakt-Kessel B8**



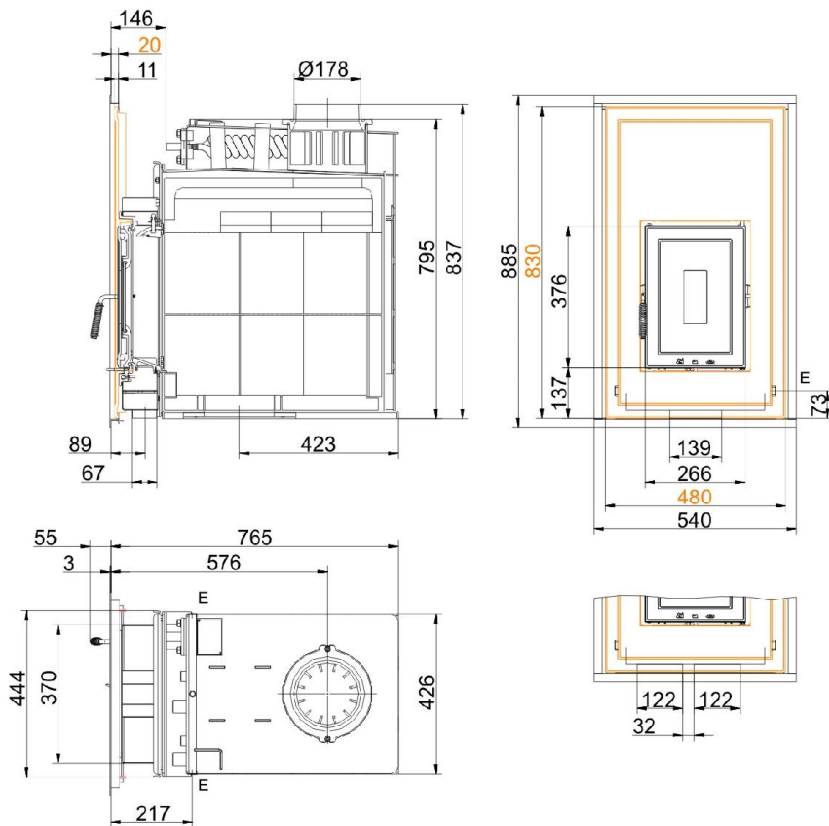
We suggest for CAD planing Palette CAD. Permanent updated drawings: www.brunner.de
 Frames / front versions are marked colored.

Dimension sheet | **Kompakt-Kessel B8**



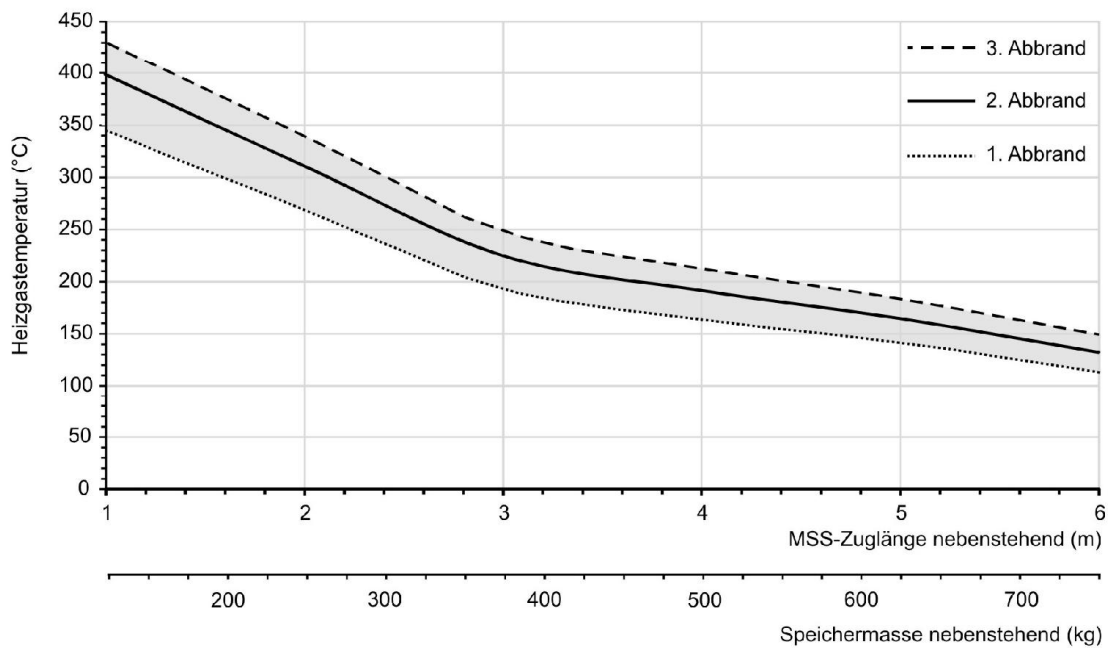
- VL supply 1"
- RL return boiler 1"
- E drain 1/2"
- SVL supply cooling pipe outlet
- SRL return cooling pipe outlet
- FTAS socket for thermometer cooling
- TF1 socket 1/2" for thermometer
- TF2 socket 1/2" for thermometer
- AE socket 1/2" for vent

... with cast iron frame



- VL supply 1"
- RL return boiler 1"
- E drain 1/2"
- SVL supply cooling pipe outlet
- SRL return cooling pipe outlet
- FTAS socket for thermometer cooling
- TF1 socket 1/2" for thermometer
- TF2 socket 1/2" for thermometer
- AE socket 1/2" for vent

... with cast iron front plate



... design characteristics for adjacent storage mass

Planning and installation

Kompakt-Kessel B8

Tested according to	EN 13229 W	EN 13229 W
Values for mode of operation	rated load	practical avg.

Data for functional demonstration

Rated heat power	kW	13	-
Rated heat power	kg/h	3,8	5,3
Combustion performance	kW	15,5	22,5
Flue gas mass flow	g/s	13	19
Outlet temperature (before heating surface)	°C	495	520
Flue gas temperature after			
attached steel smoke hood	°C	-	-
1 x adjoining cast iron radiator (GNF10)	°C	160	240
accumulation rings (MAS) ¹⁾	°C	-	-
4,9 m adjoining ceramic accumulator ²⁾	°C	-	180
3,4 m accumulation stones (MSS) ²⁾	°C	-	210
Boiler	°C	-	-
Necessary supply pressure	Pa	12	15
Combustion air consumption	m ³ /h	35	45
Combustion air connection Ø	mm	125	125

Heat distribution

Insert / heating surface	%	12 / 45	12 / 45
Glass (single / double)	%	- / 10	- / 10
Boiler	%	33	33

Vent cross-sections ⁴⁾

Supply air	cm ²	200 / 250 / 550	200 / 250 / 550
Warm air	cm ²	200 / 250 / 550	200 / 250 / 550

Min. distances of fireplace

Distance to insulation layer	cm	6	6
Distance to floor	cm	15	15

Heat insulation without / with ³⁾ air gratings

Wall	cm	10 / 7	10 / 7
Floor	cm	0 / 0	0 / 0
Ceiling	cm	16 / 12	16 / 12
Brick lining of protected walls	cm	10	10

Water boiler data

Max. operating pressure	bar	3	3
Max. flow temperature	°C	100	100
Water volume	litres	42	42
Connections flow / return	inch	1	1

Weight

Fireplace + burning chamber	kg	160 + 59
-----------------------------	----	----------

meets requirement limit values for

Germany / Austria / Switzerland / Norway	1.BImSchV (Stufe 2) / 15a BVG (2015) / - / -
--	--

1) Throttle flap recommended

2) Approximate value. Determination according to design characteristics for adjacent storage mass or proof of function provided

3) Values with air gratings, stove casing is heat conducting

4) for firebox / flue gas pipe / metallic reheating surface

Ulrich Brunner GmbH
 Zellhuber Ring 17 -18
 D-84307 Eggenfelden
 Telefon: +49 / (0)87 21 / 7 71-0
 Telefax: +49 / (0)87 21 / 7 71-100
 info@brunner.eu | www.brunner.eu



BRUNNER products are offered and sold only by qualified dealers and service centres.
 Subject to technical and assortment changes. Errors excepted. (03/15)