



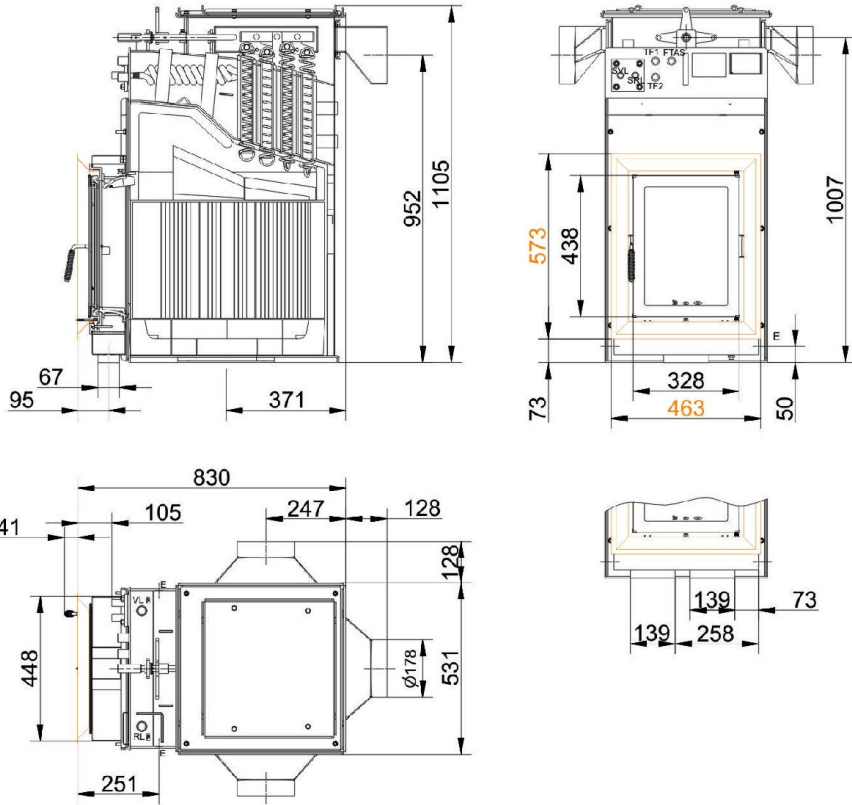
Kompakt-Kessel B4

State: 19.10.2016



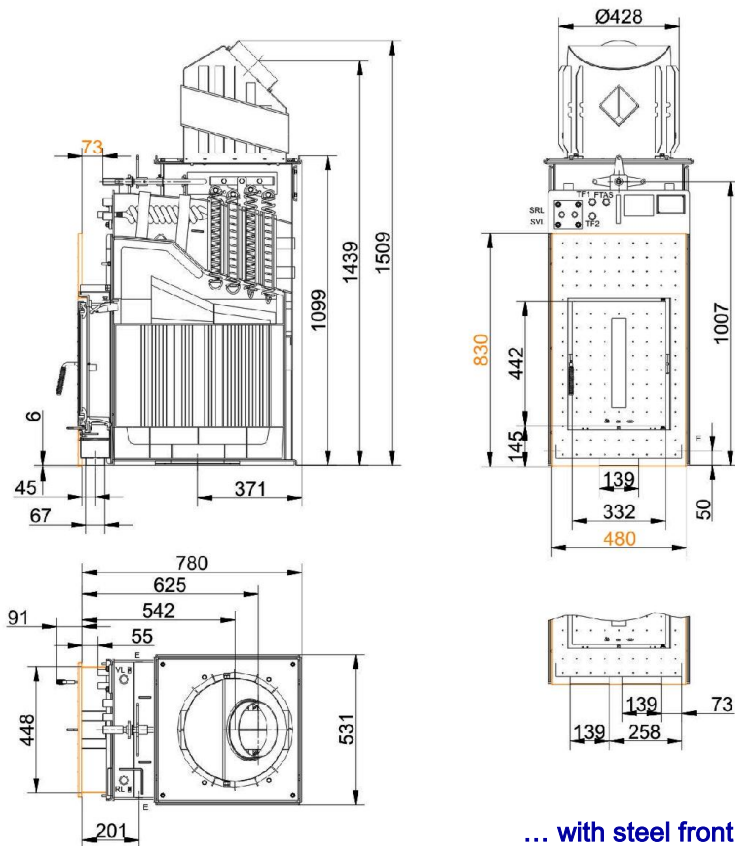
BRUNNER[®]
made in germany

Dimension sheet | **Kompakt-Kessel B4**



... with steel door frame and smoke pipe adapter, side outlet

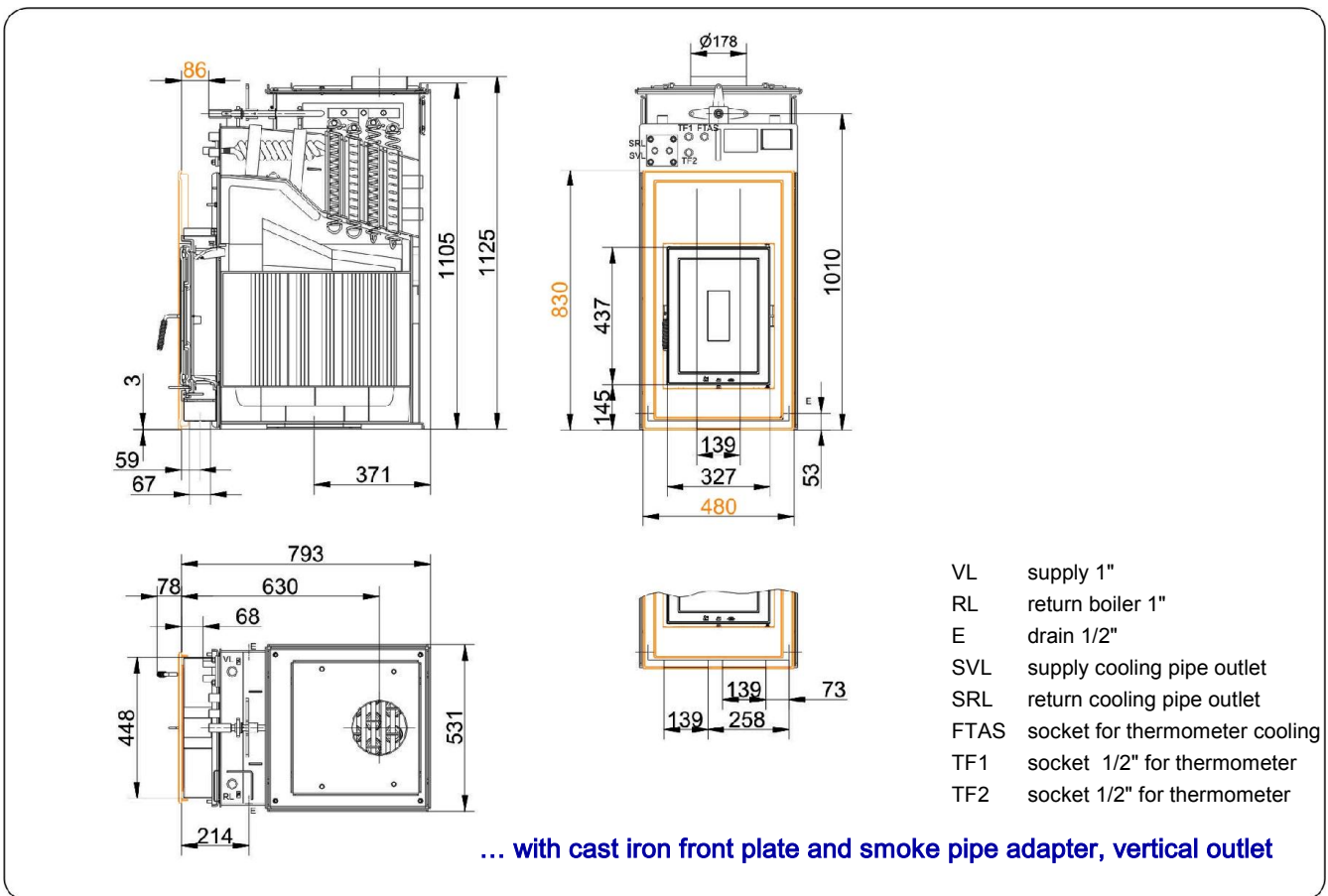
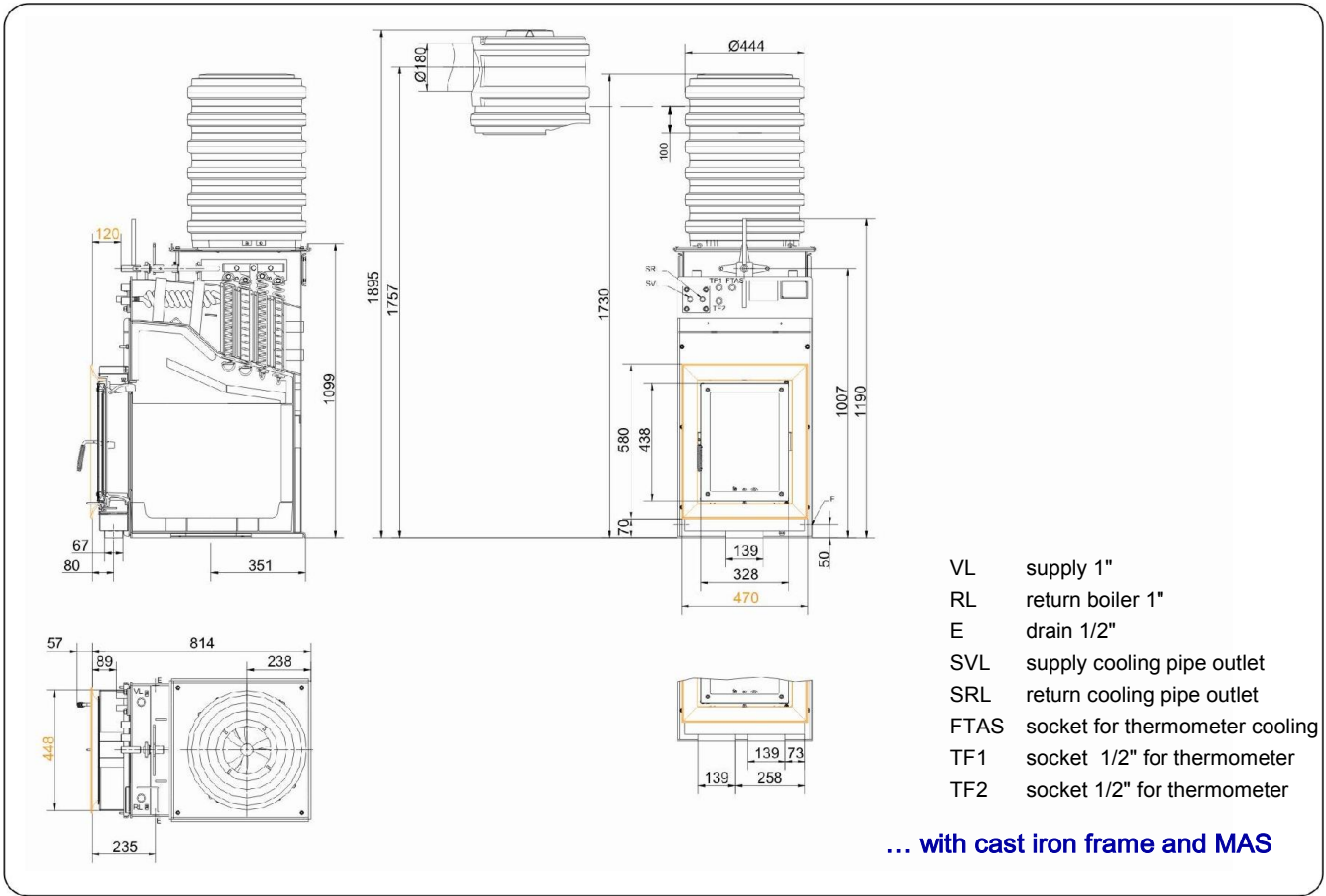
- VL supply 1"
- RL return boiler 1"
- E drain 1/2"
- SVL supply cooling pipe outlet
- SRL return cooling pipe outlet
- FTAS socket for thermometer cooling
- TF1 socket 1/2" for thermometer
- TF2 socket 1/2" for thermometer



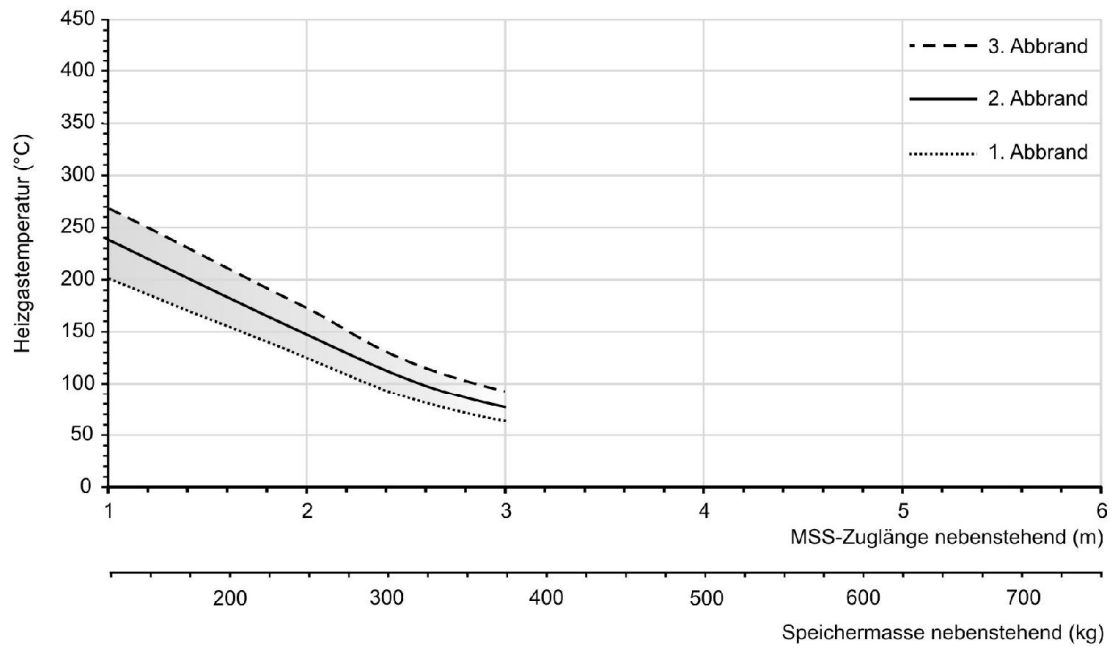
... with steel front plate and power-heat smoke hood

- VL supply 1"
- RL return boiler 1"
- E drain 1/2"
- SVL supply cooling pipe outlet
- SRL return cooling pipe outlet
- FTAS socket for thermometer cooling
- TF1 socket 1/2" for thermometer
- TF2 socket 1/2" for thermometer

Dimension sheet | **Kompakt-Kessel B4**



We suggest for CAD planing Palette CAD. Permanent updated drawings: www.brunner.de
 Frames / front versions are marked colored.



... design characteristics for adjacent storage mass

Planning and installation

Kompakt-Kessel B4

Tested according to
Values for mode of operation

EN 13229 W
rated load

EN 13229 W
practical avg.

Data for functional demonstration

Rated heat power	kW	14,5	-
Rated heat power	kg/h	3,8	8
Combustion performance	kW	16,5	32
Flue gas mass flow	g/s	14,5	28
Outlet temperature (before heating surface)	°C	210	280
Flue gas temperature after			
attached steel smoke hood	°C	130	210
adjoining cast iron radiator (GNF10)	°C	-	-
6 x accumulation rings (MAS) ¹⁾	°C	125	200
2,5 m adjoining ceramic accumulator ²⁾	°C	-	180
1,7 m accumulation stones (MSS) ²⁾	°C	-	180
Boiler	°C	-	-
Necessary supply pressure	Pa	12	15
Combustion air consumption	m ³ /h	35	80
Combustion air connection Ø	mm	125	125

Heat distribution

Insert / heating surface	%	10 / 25	10 / 25
Glass (single / double)	%	- / 10	- / 10
Boiler	%	55	55

Vent cross-sections ⁴⁾

Supply air	cm ²	200 / 200 / 400	200 / 200 / 400
Warm air	cm ²	200 / 200 / 400	200 / 200 / 400

Min. distances of fireplace

Distance to insulation layer	cm	6	6
Distance to floor	cm	15	15

Heat insulation without / with ³⁾ air gratings

Wall	cm	12 / 8	12 / 8
Floor	cm	0 / 0	0 / 0
Ceiling	cm	25 / 18	25 / 18
Brick lining of protected walls	cm	10	10

Water boiler data

Max. operating pressure	bar	3	3
Max. flow temperature	°C	100	100
Water volume	litres	71	71
Connections flow / return	inch	1	1

Weight

Fireplace + burning chamber ⁵⁾ kg 243 + 98

meets requirement limit values for

Germany / Austria / Switzerland / Norway

1.BImSchV (Stufe 2) / 15a BVG (2015) / - / -

1) Throttle flap recommended

2) Approximate value. Determination according to design characteristics for adjacent storage mass or proof of function provided

3) Values with air gratings, stove casing is heat conducting

4) for firebox / flue gas pipe / metallic reheating surface

5) heater = body + mounted exchanger

Ulrich Brunner GmbH
Zellhuber Ring 17 -18
D-84307 Eggenfelden
Telefon: +49 / (0)87 21 / 7 71-0
Telefax: +49 / (0)87 21 / 7 71-100
info@brunner.eu | www.brunner.eu



BRUNNER products are offered and sold only by qualified dealers and service centres.
Subject to technical and assortment changes. Errors excepted. (10/16)