

# BRUNNER ACCUMULATION STOVE DOORS



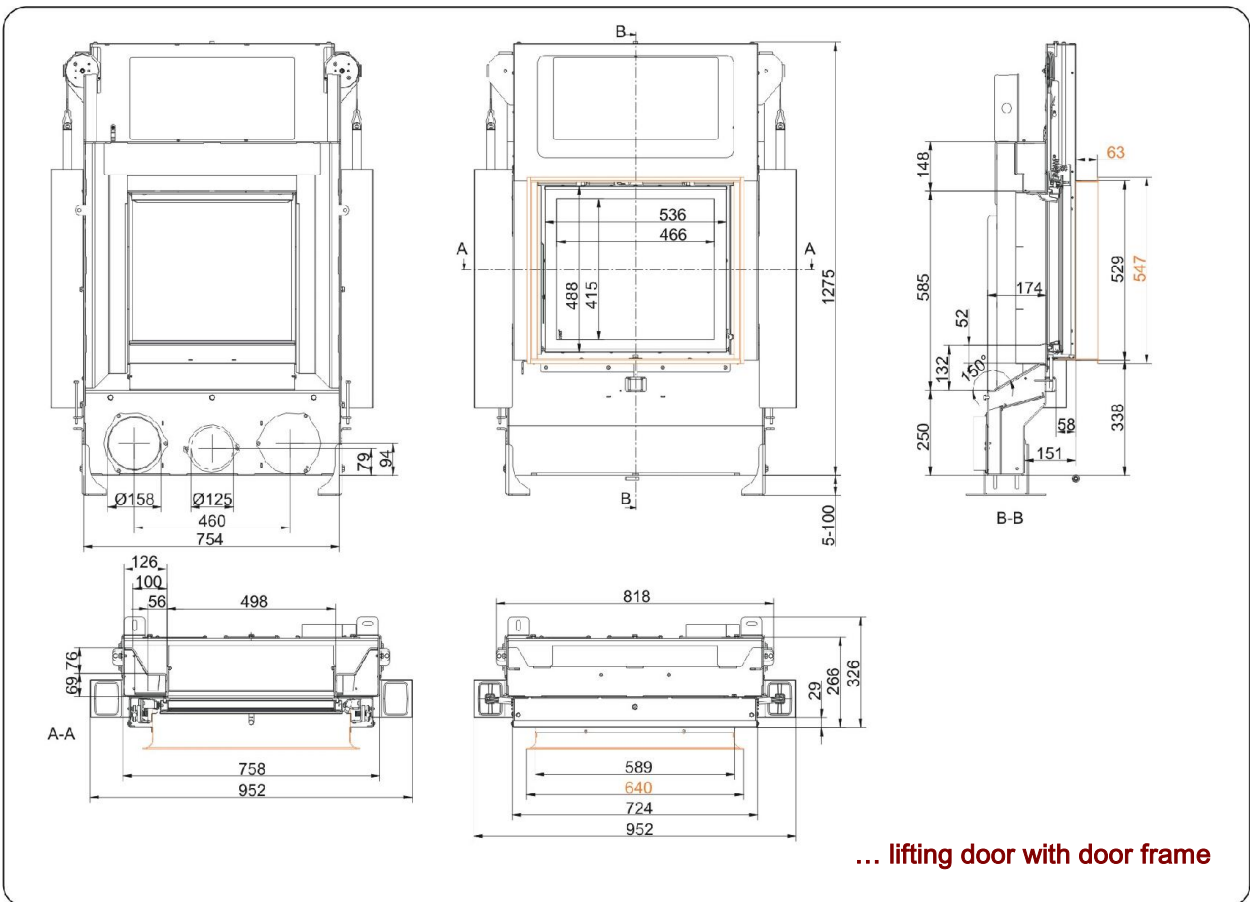
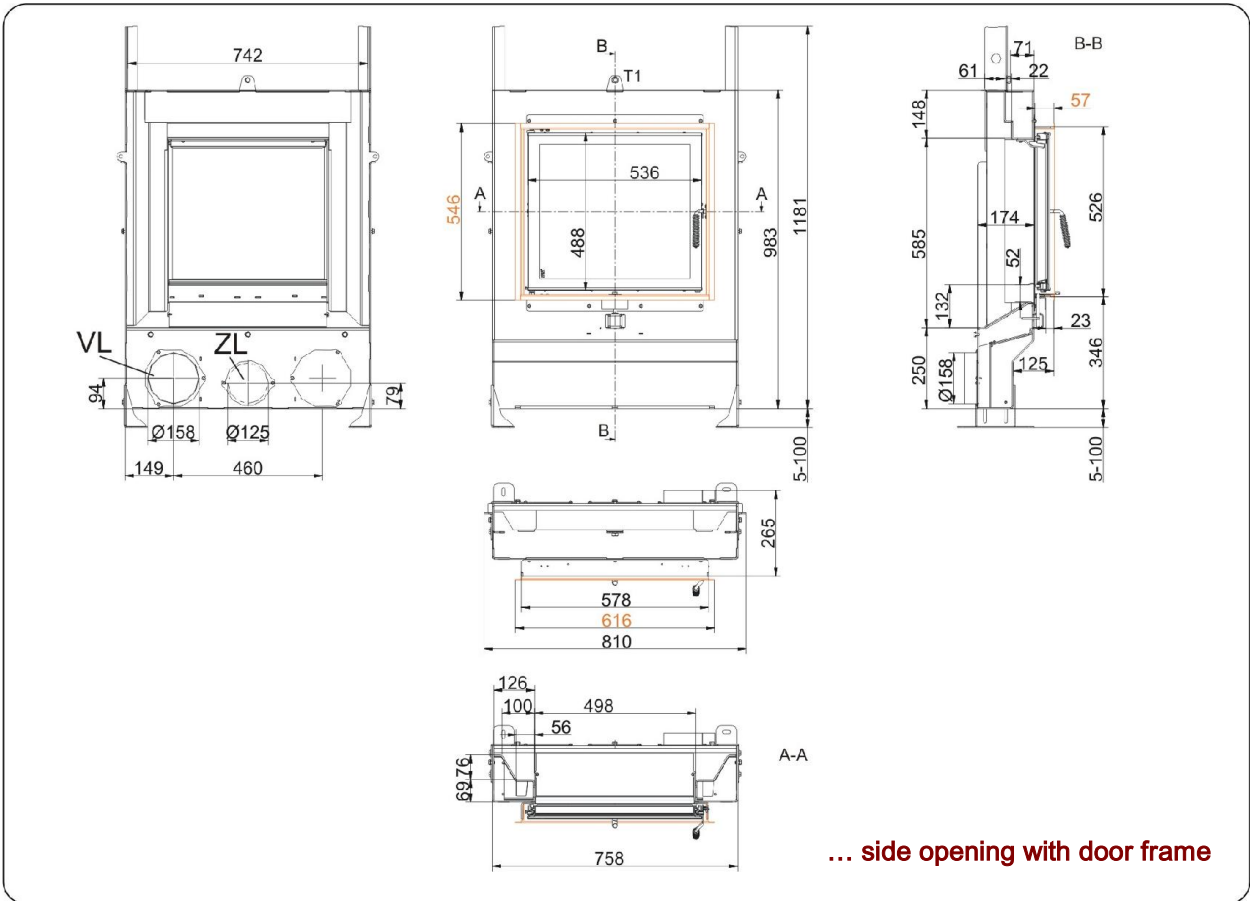
## GOT 51/55-ZL

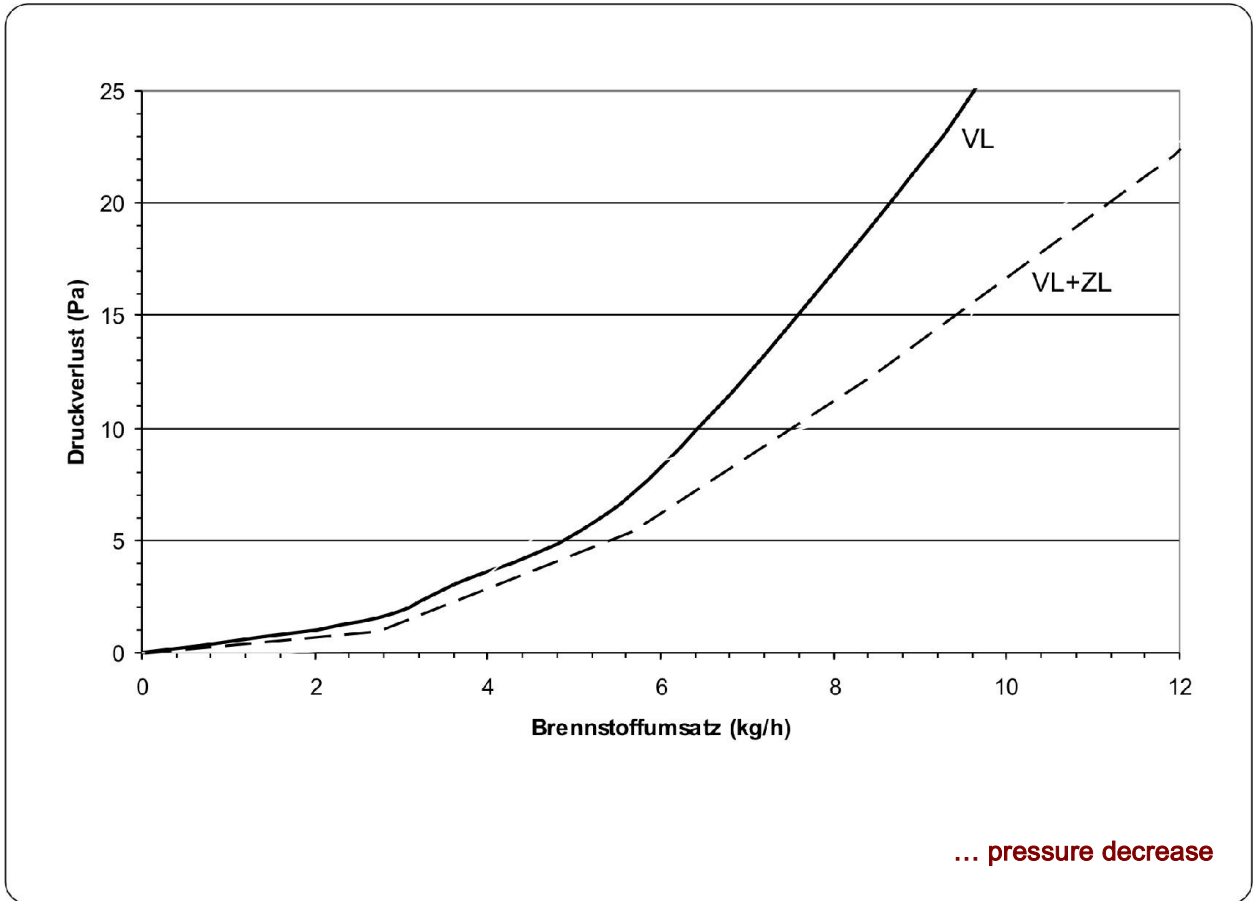
State: 20.11.2014



**BRUNNER**<sup>®</sup>  
*made in germany*

Dimension sheet | **GOT 51/55-ZL**





# Planning and installation

## GOT 51/55-ZL

appropriate to fill quantity	kg	4 - 13
max. rate of firewood	kg/h	7,9
loss of pressure <sup>1)</sup>	Pa	Diagramm
max. free cross-section of the combustion air opening	cm <sup>2</sup>	402
Combustion air connection (VL) Ø	mm	2 x 160
secondary air supply (ZL) Ø	mm	125
Weight side-opening door / lifting door	kg	79 / 126

1) The pressure losses of GOT depends on the used quantity of wood (see layout diagram). For large quantities, we recommend combustion chambers with secondary air inlet (VL + ZL).

Ulrich Brunner GmbH  
Zellhuber Ring 17 -18  
D-84307 Eggenfelden  
Phone: +49 / (0)87 21 / 7 71-0  
Fax: +49 / (0)87 21 / 7 71-100  
info@brunner.eu | www.brunner.eu

**BRUNNER**<sup>®</sup>

BRUNNER products are offered and sold only by qualified dealers and service centres.  
Subject to technical and assortment changes. Errors excepted. (11/14)