

BRUNNER ACCUMULATION STOVES



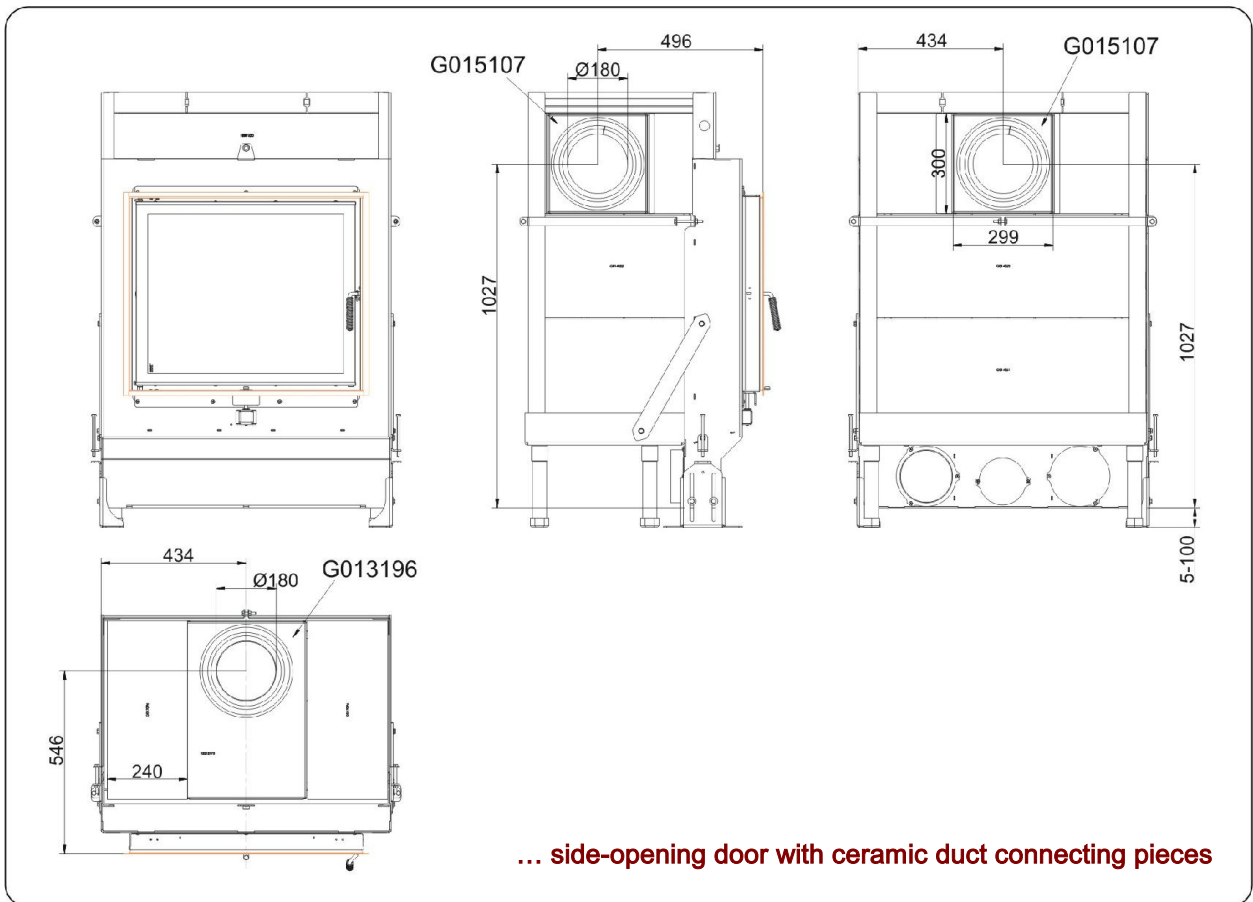
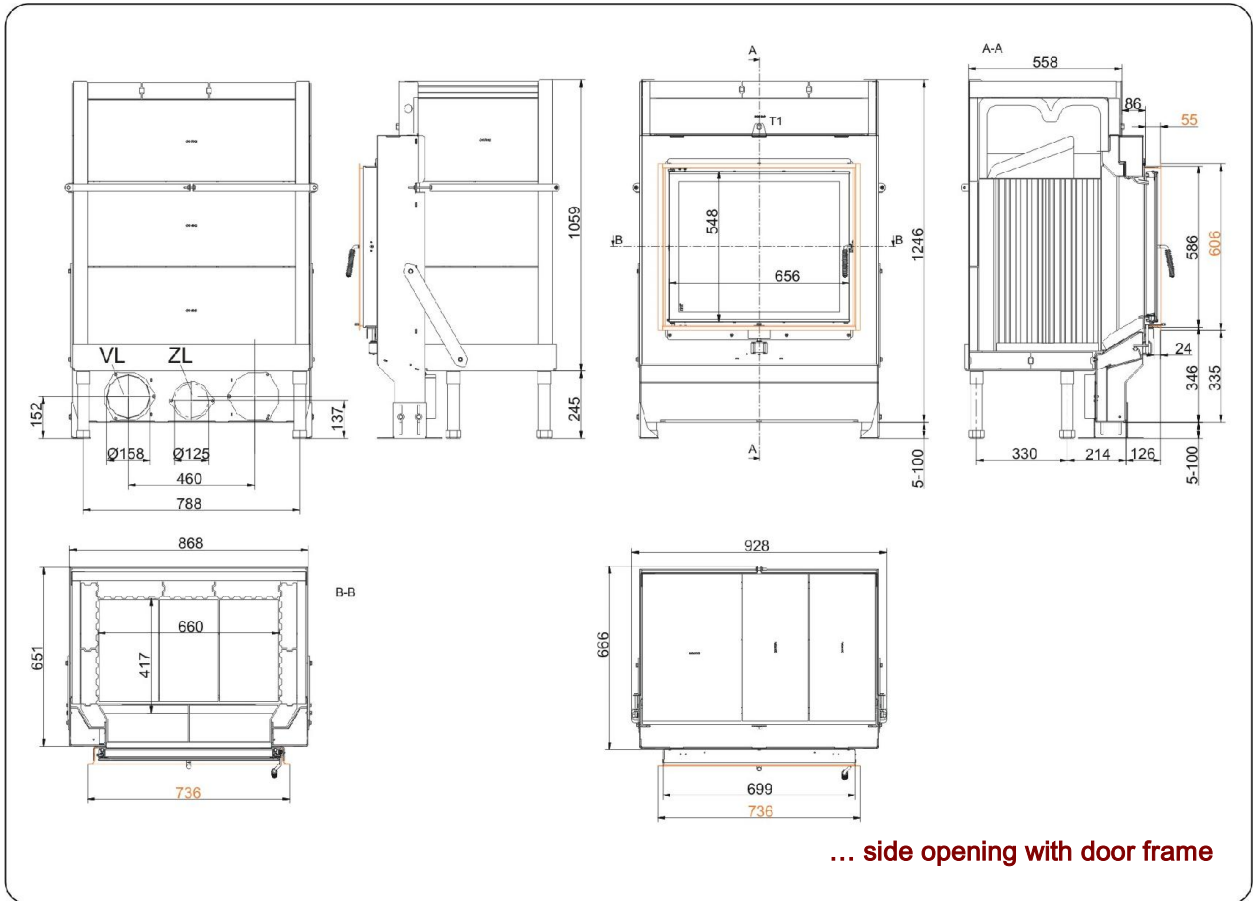
GOT 57/67-ZL mit GOF 66x42

State: 26.11.2014

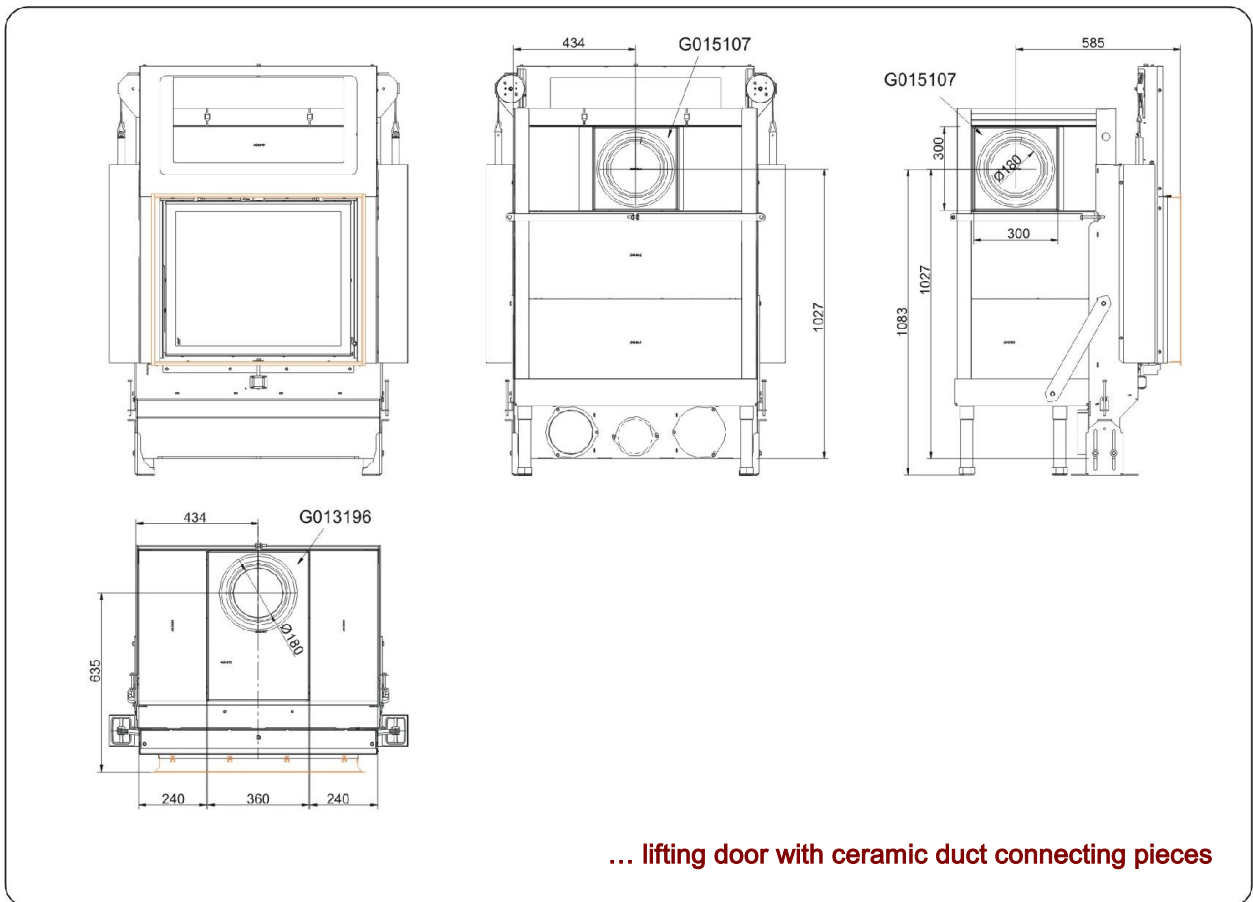
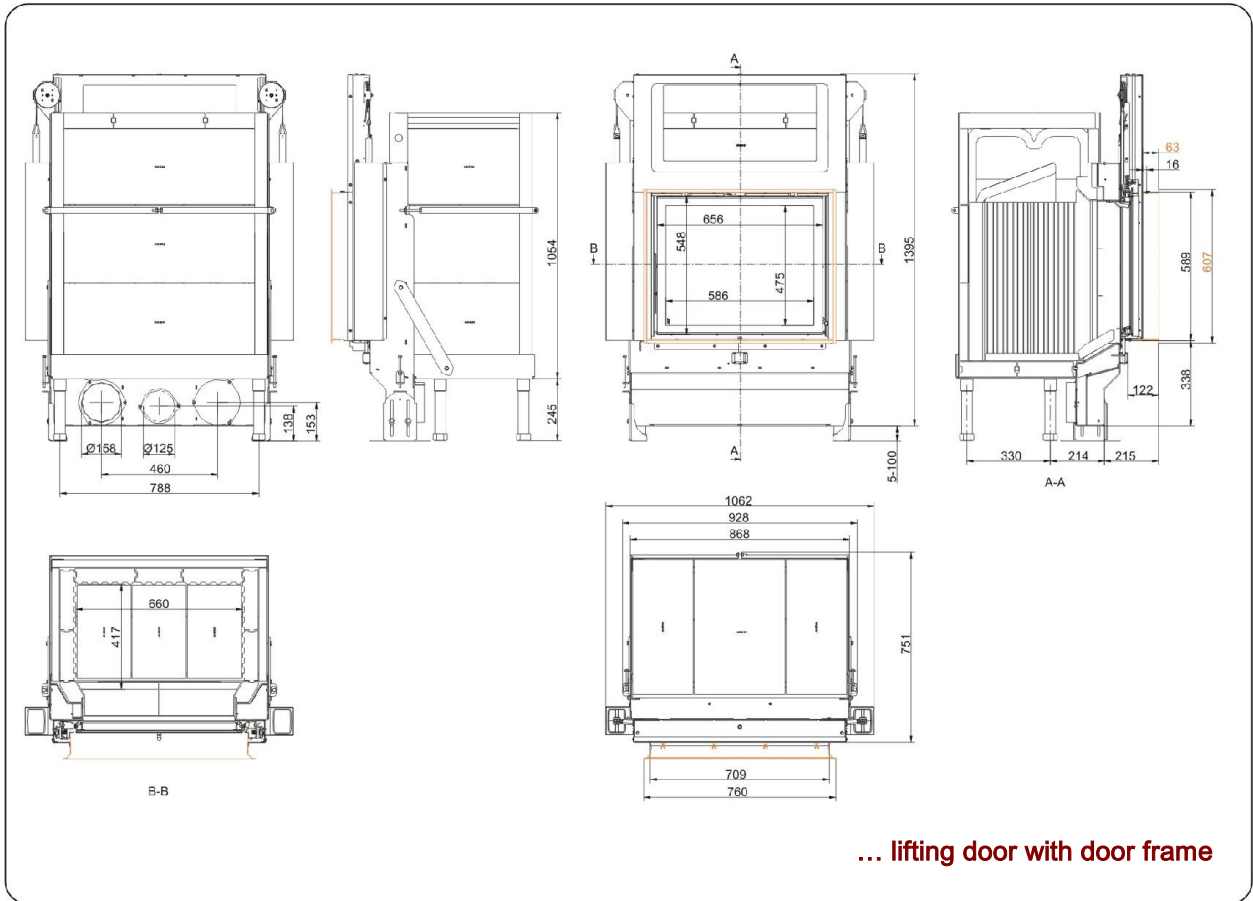


BRUNNER[®]
made in germany

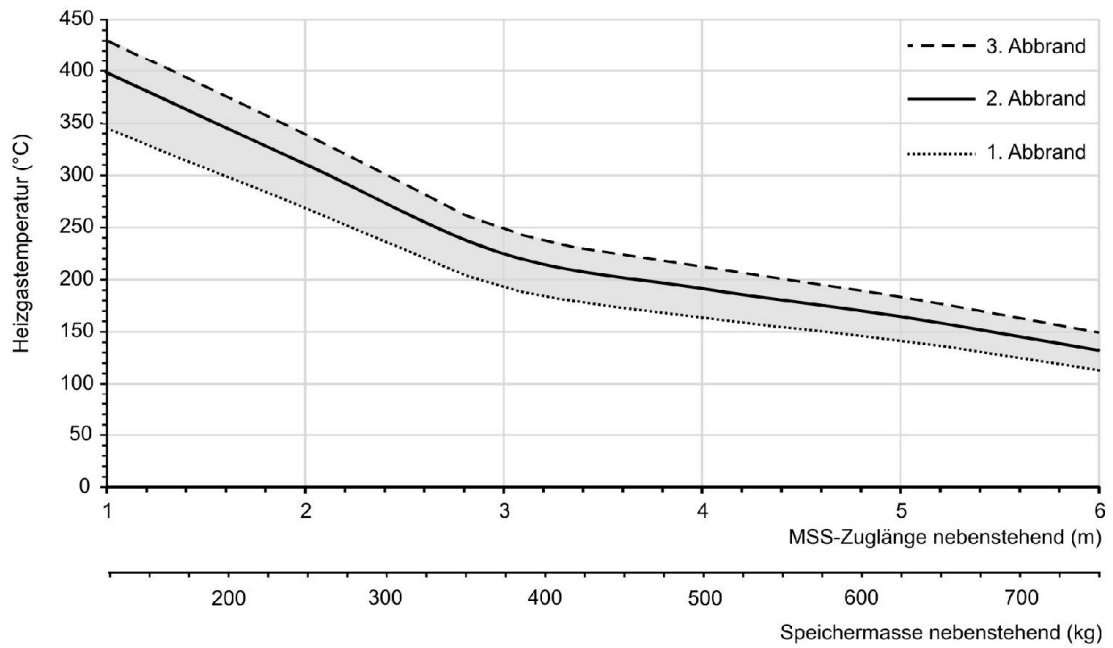
Dimension sheet | **GOT 57/67-ZL mit GOF 66x42**



Dimension sheet | **GOT 57/67-ZL mit GOF 66x42**



We suggest for CAD planing Palette CAD. Permanent updated drawings: www.brunner.de
 Frames / front versions are marked colored.



... design characteristics for adjacent storage mass

Planning and installation

GOT 57/67-ZL mit GOF 66x42

| Tested according to | | EN 15250 | EN 15250 |
|--|-------------------|---------------------------------------|-----------------------|
| Values measured at | | storage mass on top | adjacent storage mass |
| ceramic accumulator ¹⁾ | kg | 300 | 600 |
| accumulation stones (MSS) | m; kg | 2,6; 323 | 4,7; 590 |
| Suitable for all construction types according to rules | | OK | OK |
| Data for functional demonstration | | | |
| Fuel amount for 1st / 2nd combustion cycle | kg | 8 + 4 | 9 + 9 |
| Firewood consumption | kg/h | 7,9 | 8,1 |
| Combustion performance | kW | 31,6 | 32,4 |
| Flue gas mass flow | g/s | 24,4 | 25,5 |
| Outlet temperature (before heating surface) | °C | 550 | 550 |
| Flue gas temperature after | | | |
| ceramic accumulator ¹⁾ | °C | 180 | 180 |
| accumulation stones (MSS) | °C | 195 | 175 |
| Necessary supply pressure ²⁾ | Pa | 12 | 12 |
| Combustion air consumption | m ³ /h | 71 | 74 |
| Combustion air connection Ø | mm | 160 | 160 |
| Heat distribution | | | |
| Insert / heating surface | % | 25 / 50 | 25 / 50 |
| Glass (single / double) | % | - / 25 | - / 25 |
| Heat insulation according to TROL | | | |
| Weight | | | |
| Fireplace | kg | 541 | |
| meets requirement / limit values for | | | |
| Germany / Austria / Switzerland / Norway | | 1.BImSchV (Stufe 2) / 15a BVG / - / - | |

1) Approximate value, must be calculated eventually

2) for GOF without radiators and accumulators

Ulrich Brunner GmbH
Zellhuber Ring 17 -18
D-84307 Eggenfelden
Phone: +49 / (0)87 21 / 7 71-0
Fax: +49 / (0)87 21 / 7 71-100
info@brunner.eu | www.brunner.eu

The logo for Brunner, featuring the word "BRUNNER" in a bold, black, sans-serif font. The letters are composed of horizontal lines, giving it a textured appearance. A registered trademark symbol (®) is located at the top right of the logo.

BRUNNER products are offered and sold only by qualified dealers and service centres.
Subject to technical and assortment changes. Errors excepted. (11/14)