

BRUNNER ACCUMULATION STOVE DOORS



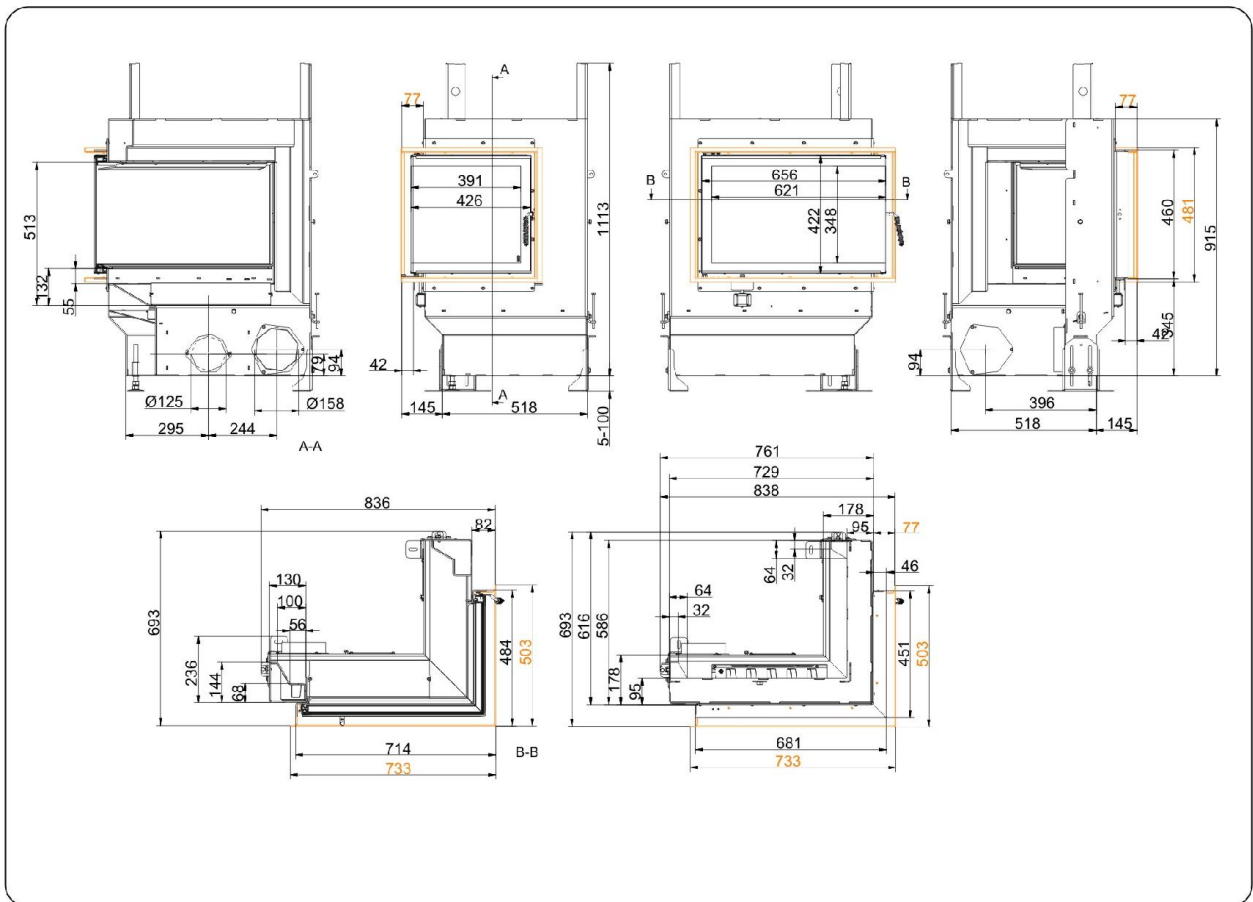
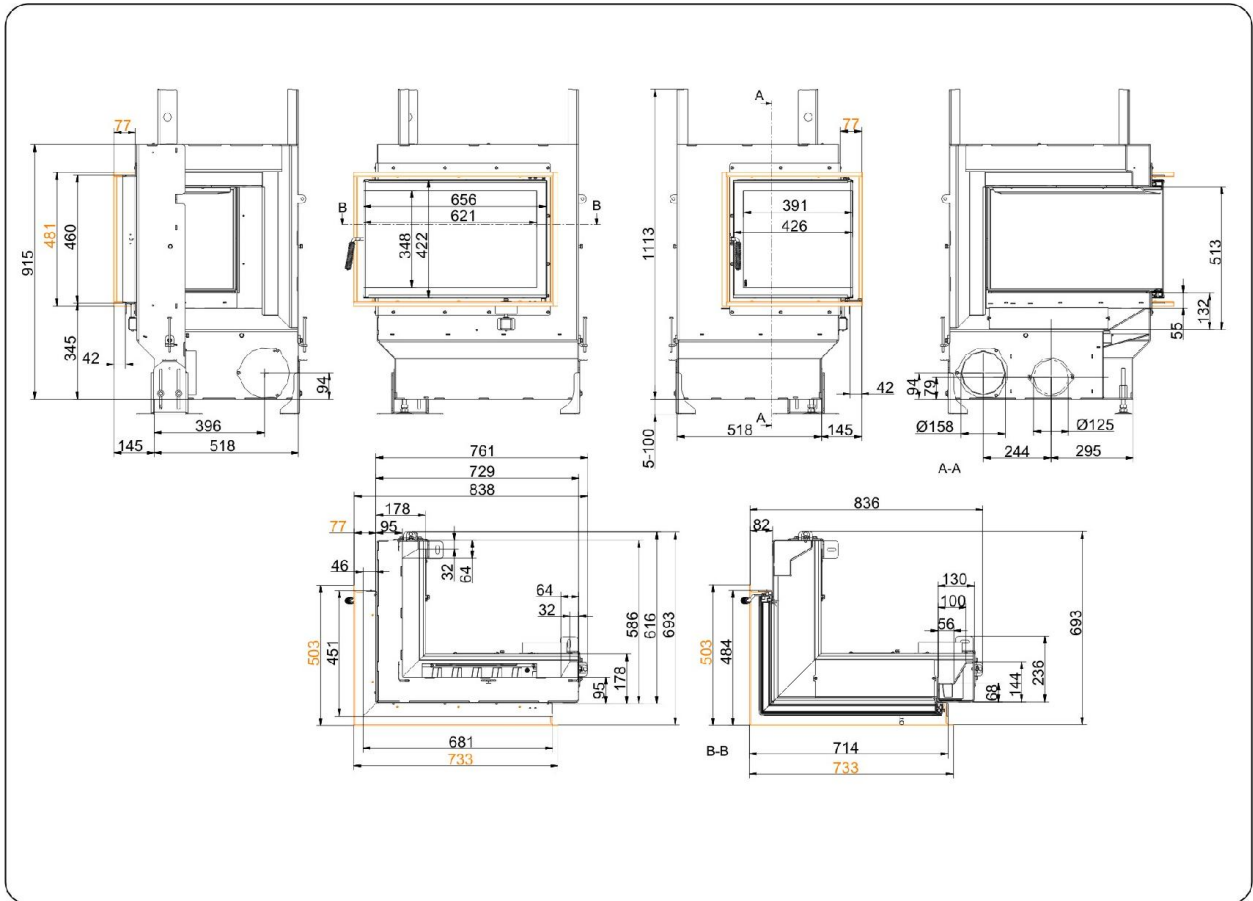
GOT-Eck 45/67/44-ZL

State: 01.12.2014



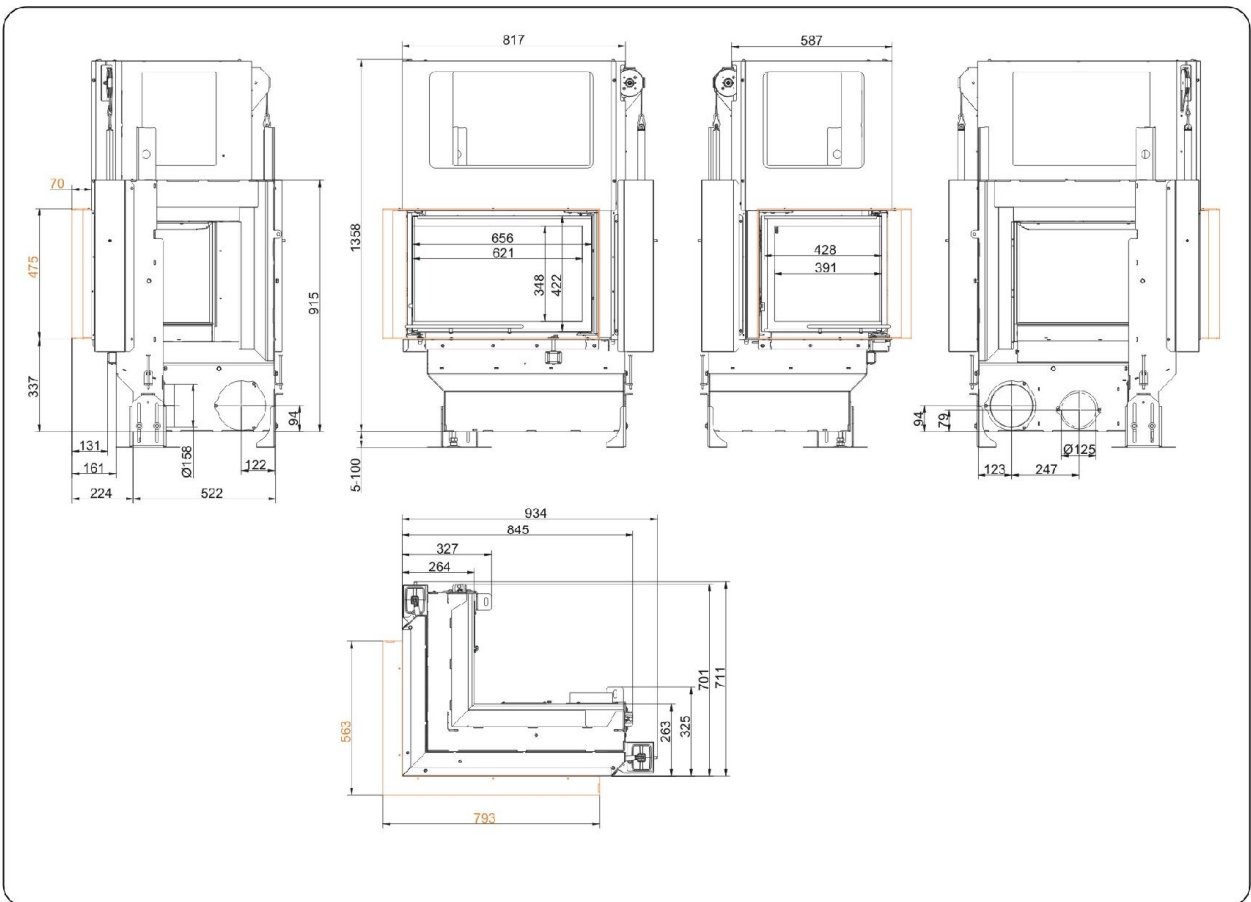
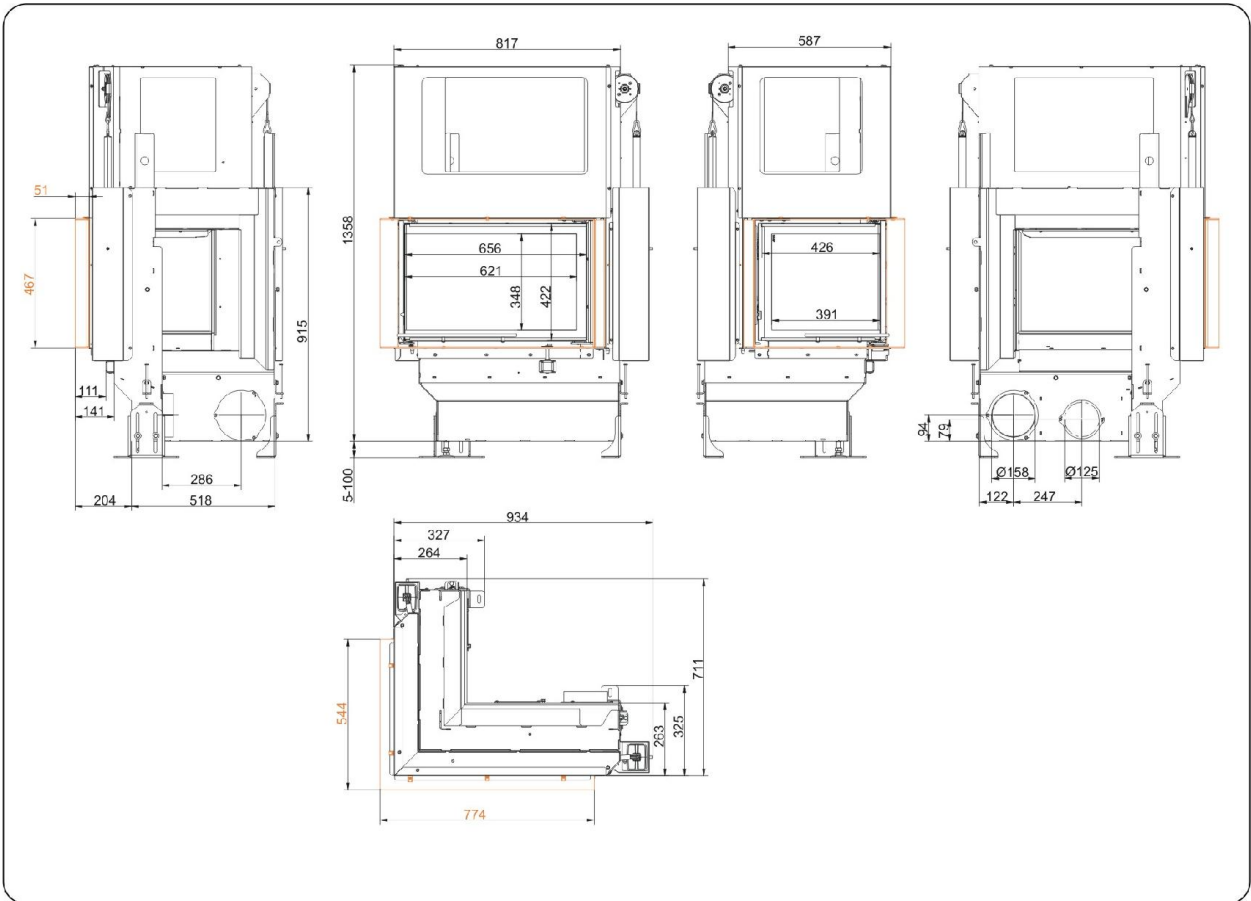
BRUNNER[®]
made in germany

Dimension sheet | **GOT-Eck 45/67/44-ZL**



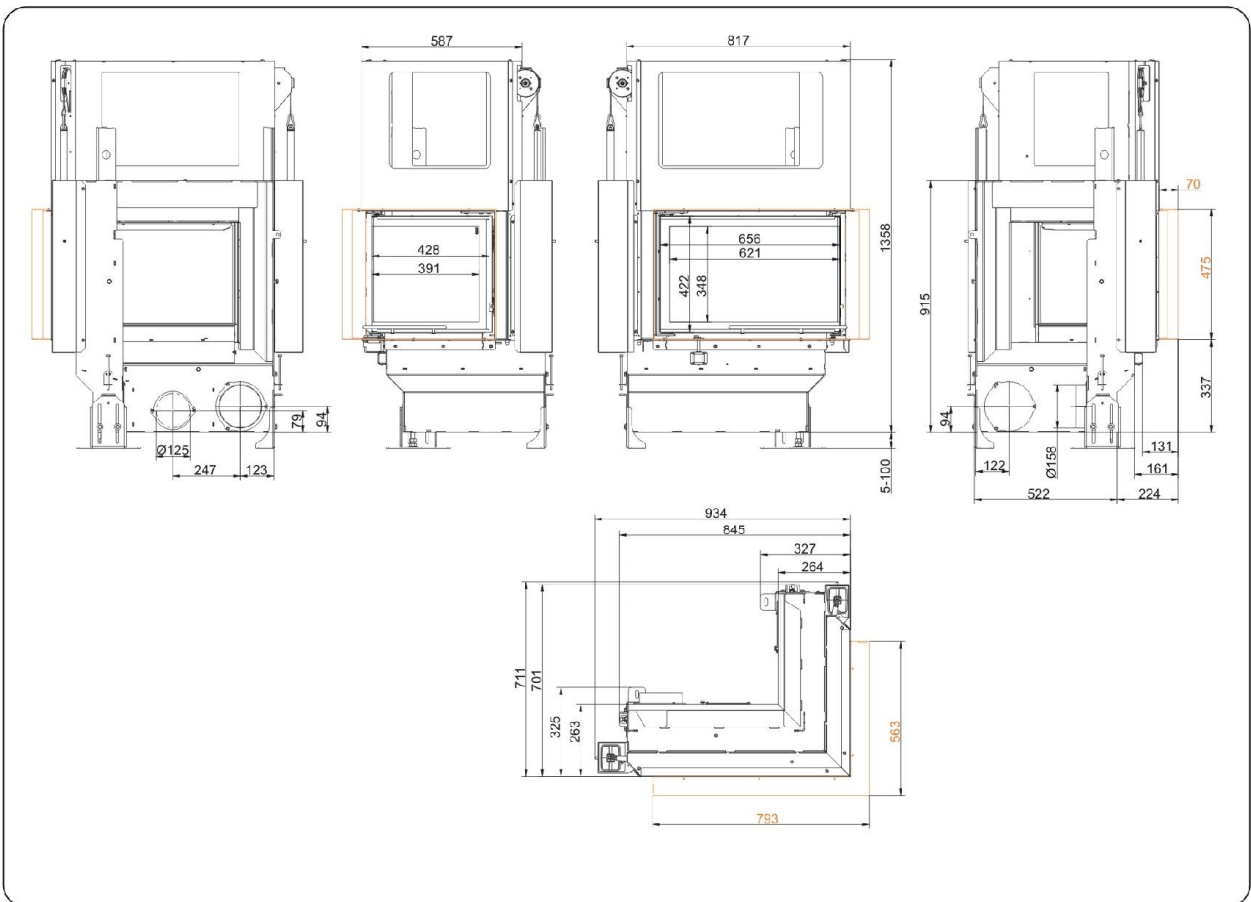
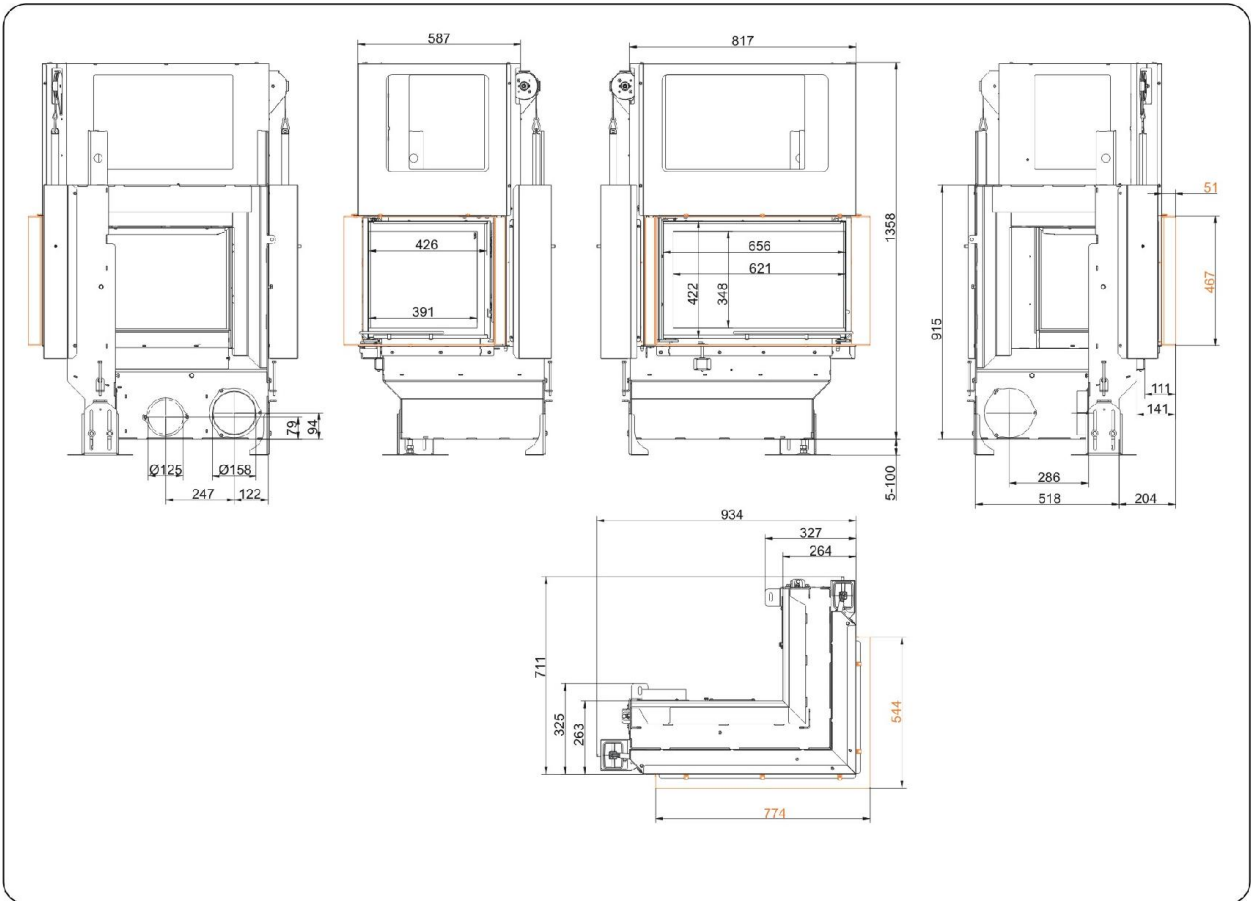
We suggest for CAD planing Palette CAD. Permanent updated drawings: www.brunner.de
 Frames / front versions are marked colored.

Dimension sheet | **GOT-Eck 45/67/44-ZL**

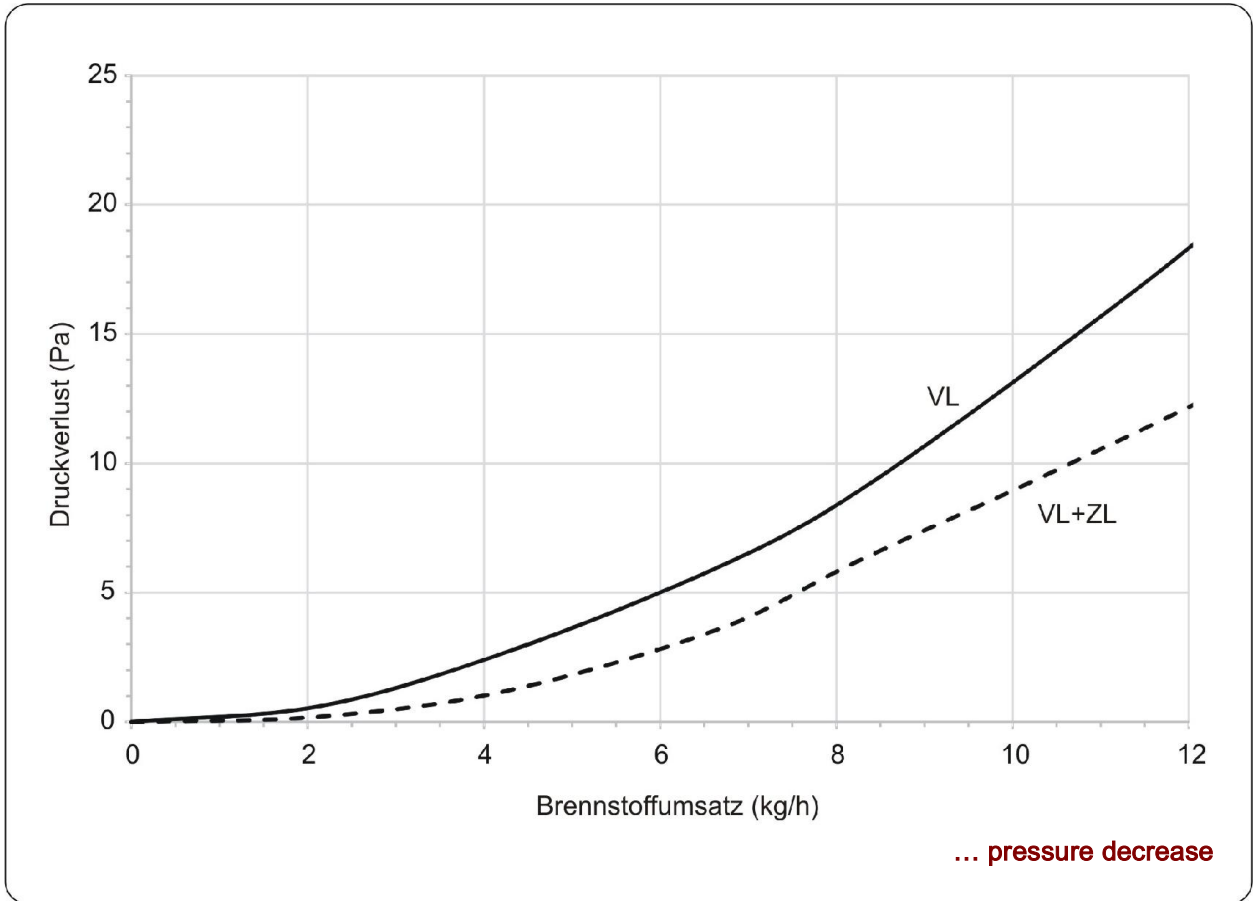


We suggest for CAD planing Palette CAD. Permanent updated drawings: www.brunner.de
 Frames / front versions are marked colored.

Dimension sheet | **GOT-Eck 45/67/44-ZL**



We suggest for CAD planing Palette CAD. Permanent updated drawings: www.brunner.de
 Frames / front versions are marked colored.



Planning and installation

GOT-Eck 45/67/44-ZL

appropriate to fill quantity	kg	4 - 13
max. rate of firewood	kg/h	7,9
loss of pressure ¹⁾	Pa	Diagramm
max. free cross-section of the combustion air opening	cm ²	402
Combustion air connection (VL) Ø	mm	2 x 160
secondary air supply (ZL) Ø	mm	125
Weight side-opening door / lifting door	kg	107 / 170

1) The pressure losses of GOT depends on the used quantity of wood (see layout diagram). For large quantities, we recommend combustion chambers with secondary air inlet (VL + ZL).

Ulrich Brunner GmbH
Zellhuber Ring 17 -18
D-84307 Eggenfelden
Phone: +49 / (0)87 21 / 7 71-0
Fax: +49 / (0)87 21 / 7 71-100
info@brunner.eu | www.brunner.eu

BRUNNER[®]

BRUNNER products are offered and sold only by qualified dealers and service centres.
Subject to technical and assortment changes. Errors excepted. (12/14)