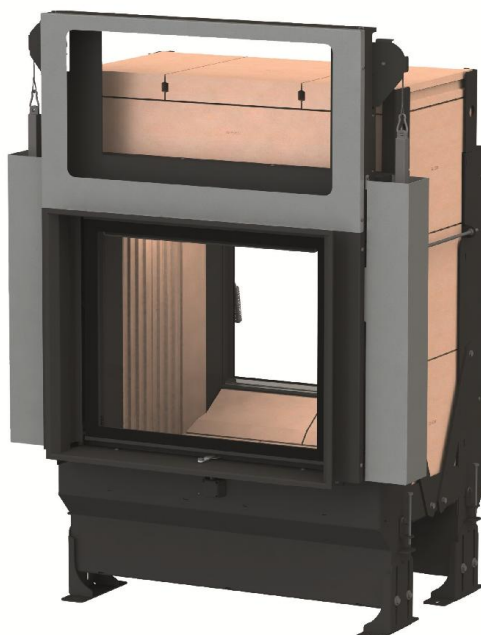


BRUNNER ACCUMULATION STOVES



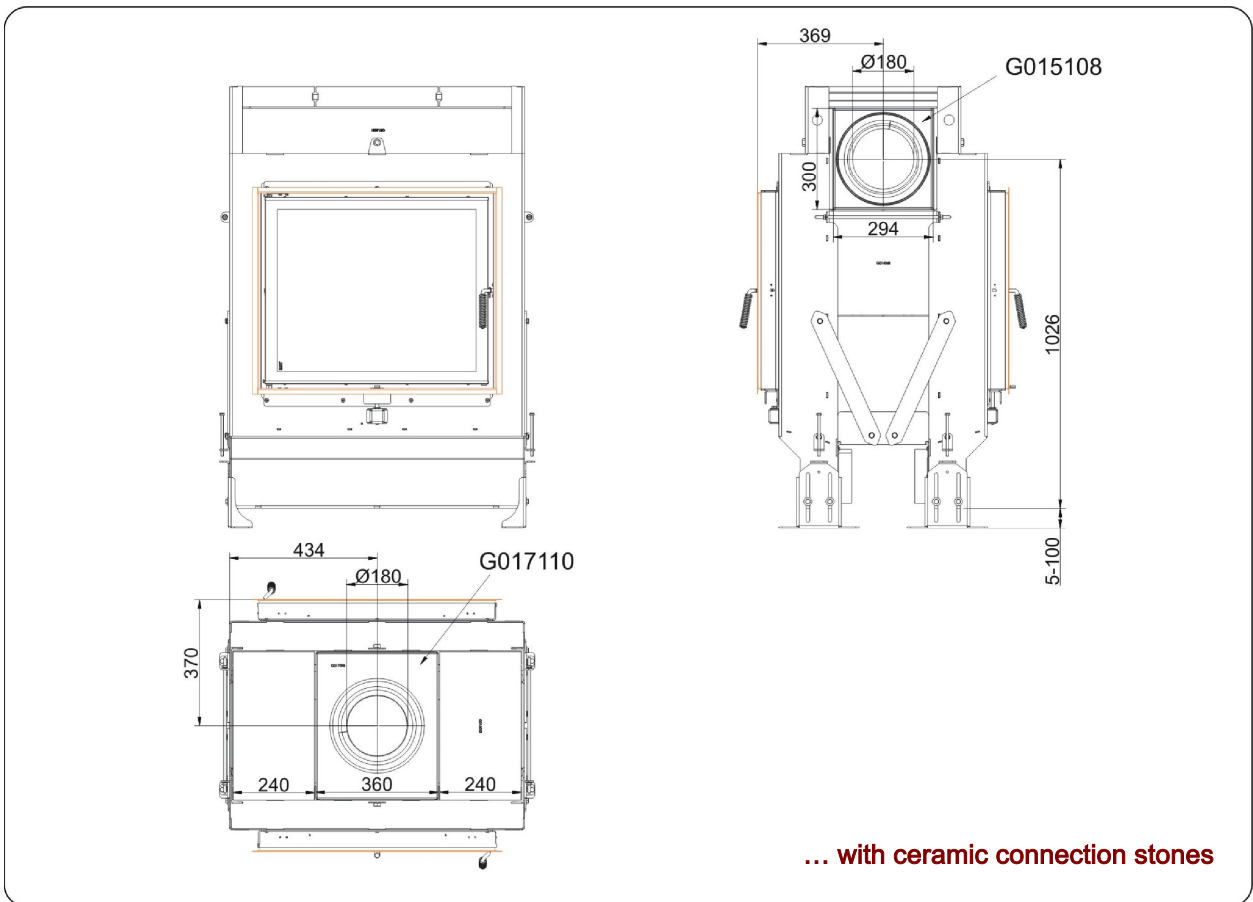
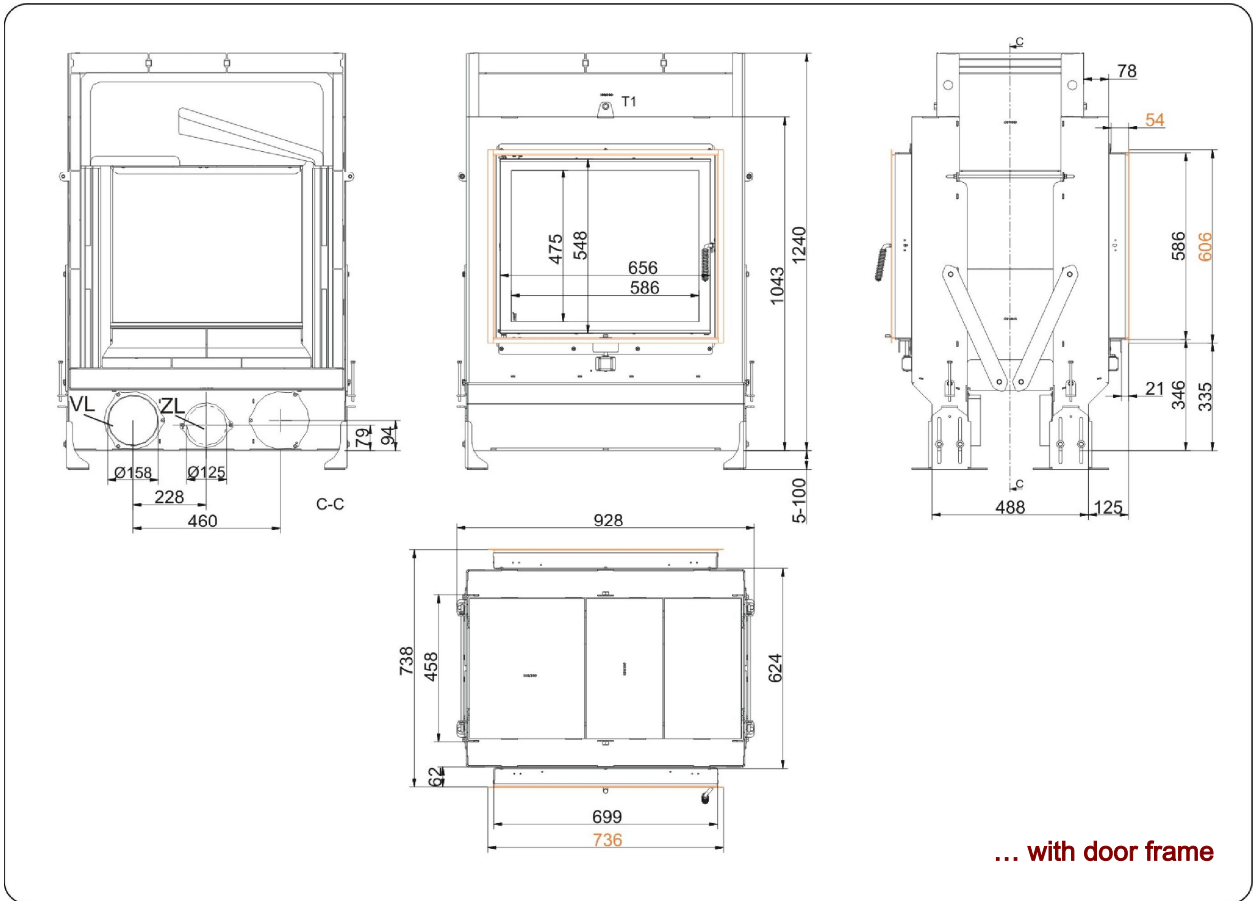
GOT 57/67-ZL mit GOF Tunnel 66x36

State: 08.09.2016

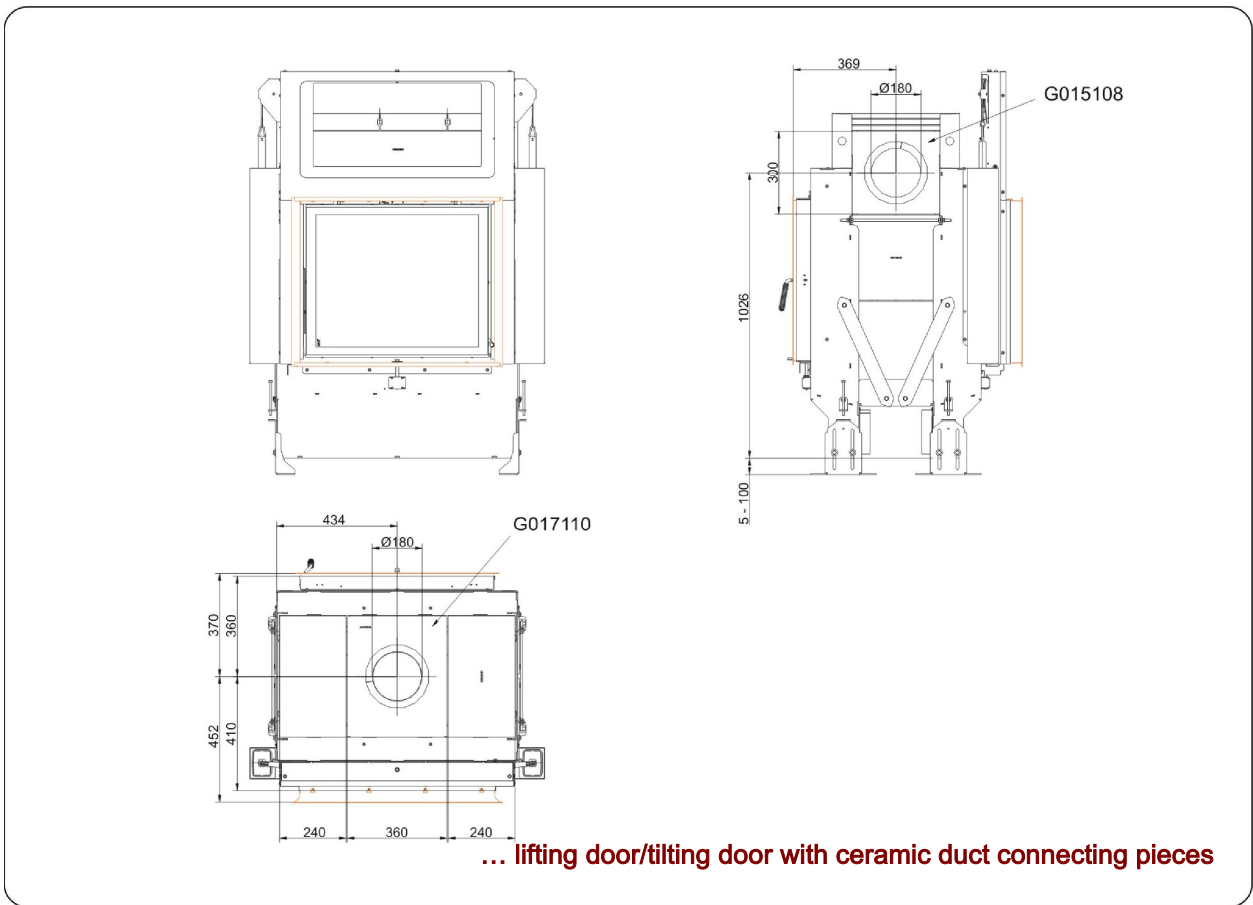
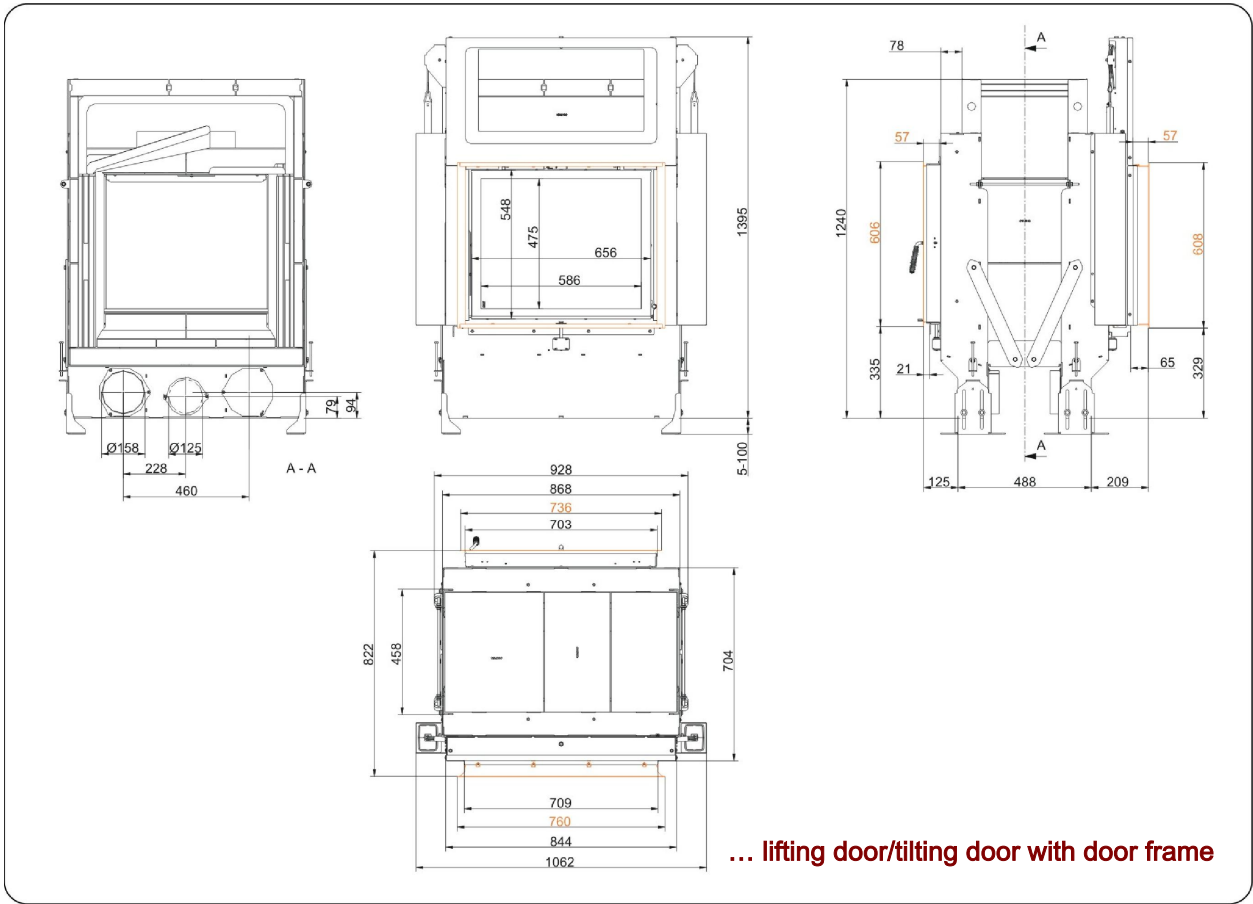


BRUNNER[®]
made in germany.

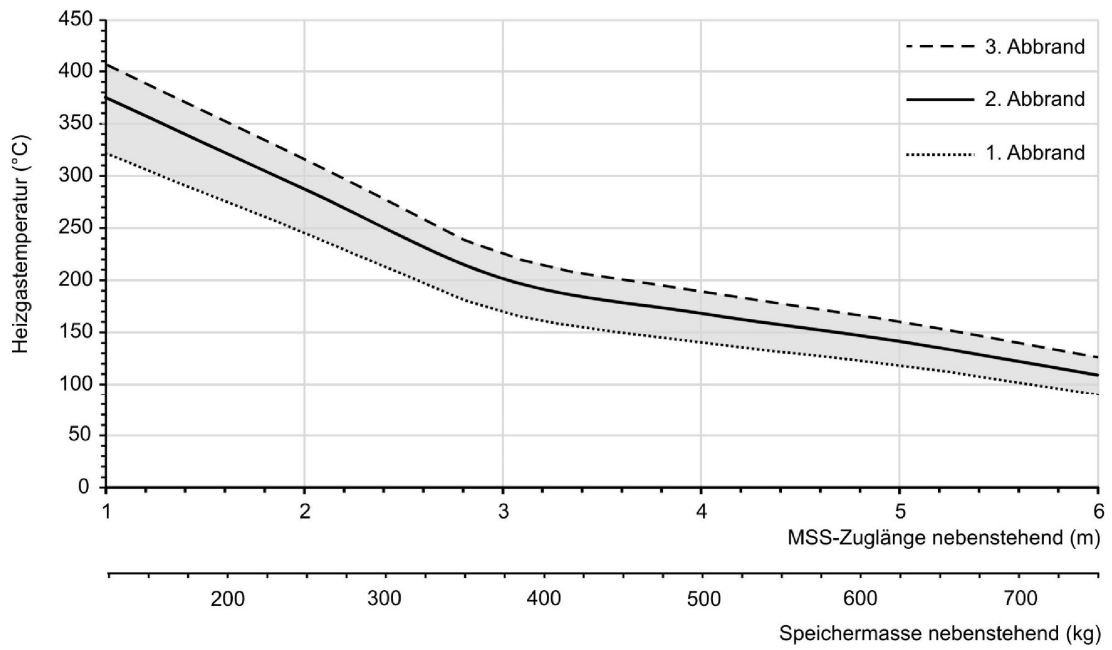
Dimension sheet | **GOT 57/67-ZL mit GOF Tunnel 66x36**



Dimension sheet | **GOT 57/67-ZL mit GOF Tunnel 66x36**



We suggest for CAD planing Palette CAD. Permanent updated drawings: www.brunner.de
 Frames / front versions are marked colored.



... design characteristics for adjacent storage mass

Planning and installation

GOT 57/67-ZL mit GOF Tunnel 66x36

Type test according to		EN 15250	EN 15250	EN 13229
Values measured at		top-mount storage mass	adjacent storage mass	GOK A
ceramic accumulator ¹⁾	kg	300	400	-
accumulation stones (MSS)	m; kg	2,3; 292	3,1; 390	-
Suitable for all construction types according to rules		OK	OK	
Data for functional demonstration				
Rated heat power	kW	-	-	-
Fuel amount for 1st / 2nd combustion cycle	kg	7 + 4	8 + 5	-
Firewood consumption	kg/h	7,1	7,9	-
Combustion performance	kW	28,4	31,6	-
Flue gas mass flow	g/s	22	24,4	-
Outlet temperature (before heating surface)	°C	520	520	-
Flue gas temperature after				
ceramic accumulator ¹⁾	°C	180	180	-
accumulation stones (MSS) ¹⁾	°C	195	190	-
Water boiler	°C	-	-	-
Necessary supply pressure ²⁾	Pa	12	12	-
Combustion air consumption	m³/h	64	71	-
Combustion air connection Ø	mm	160	160	-
Heat distribution				
Insert / heating surface	%	15 / 50	15 / 50	- / -
Glass (single / double)	%	- / 35	- / 35	- / -
Water boiler	%	-	-	-
Heat insulation according to TROL				
Water boiler data				
Max. operating pressure	bar	-	-	-
Max. flow temperature	°C	-	-	-
Water volume	litres	-	-	-
Connections flow / return	inch	-	-	-
Weight				
Fireplace / boiler	kg		484	- / -
meets requirement / limit values for:				
Germany / Austria / Switzerland / Norway				1.BImSchV (Stufe 2) / 15a BVG (2015) / - / -

1) Approx. value. Determination accord. to design characteristics for adjacent storage mass or proof of function provided by calculation

2) for GOF without storage mass; 1m MSS = 0,4 Pa pressure decrease

3) Construction without storage mass possible

Ulrich Brunner GmbH
Zellhuber Ring 17 -18
D-84307 Eggenfelden
Telefon: +49 / (0)87 21 / 7 71-0
Telefax: +49 / (0)87 21 / 7 71-100
info@brunner.eu | www.brunner.eu



BRUNNER products are offered and sold only by qualified dealers and service centres.
Subject to technical and assortment changes. Errors excepted. (09/16)